

Cable Tray / Trough Tray SBXX-HC-XXXX

TroughTray™ Fittings

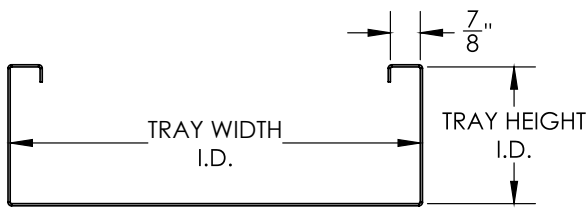
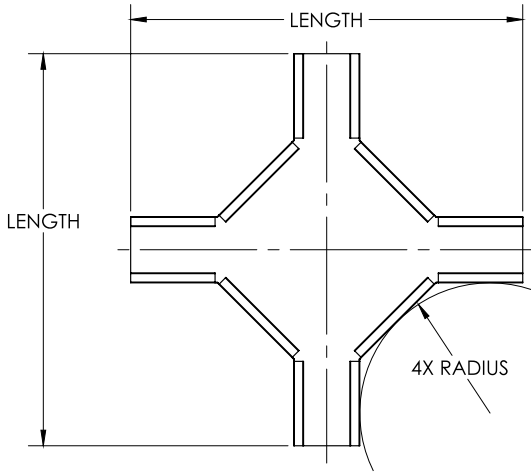
Manufactured in the USA by MonoSystems, Inc.



HORIZONTAL CROSS

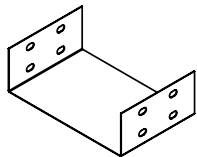
Notes

- 1.) Ordered as each.
- 2.) Three u-splice connectors and 3/8" mounting hardware provided.
- 3.) Recommended torque: For 3/8" fasteners: 25-35 ft-lbs [33.9-47.5 N-m].
- 4.) Views for reference - do not scale.



FILE: E80034
VOL.3

ALUMINUM P/N	ALUMINUM GAUGE	STEEL GAUGE	HEIGHT (H)	WIDTH (W)	FOR 12"R LENGTH	FOR 24"R LENGTH
SBXX-HC-XX06	0.063"	20	3," 4" OR 6"	6"	36"	54"
SBXX-HC-XX09	0.063"	20	3," 4" OR 6"	9"	39"	57"
SBXX-HC-XX12	0.063"	20	3," 4" OR 6"	12"	42"	60"
SBXX-HC-XX18	0.063"	20	3," 4" OR 6"	18"	48"	66"
SBXX-HC-XX24	0.063"	20	3," 4" OR 6"	24"	54"	72"
SBXX-HC-XX36	0.080"	18	3," 4" OR 6"	36"	66"	84"



SBXX-USP-XX
U-SPLICE CONNECTOR

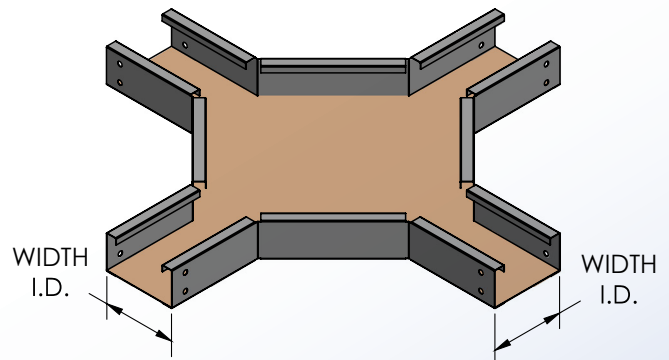
*ADDITIONAL RADIUS, VENTED BOTTOM, AND PAINTED OPTIONS AVAILABLE
SPEAK WITH MONOSYSTEMS TO CHOOSE

ORDERING DATA EXAMPLE:

SBXX-HC-XXXX

MATERIAL **TRAY HEIGHT** **RADIUS** **TRAY WIDTH**

P = STEEL	3 = 3" HIGH	12 = 12"	06 = 6" WIDE
PRE-GALV	4 = 4" HIGH	24 = 24"	09 = 9" WIDE
G = HDGAF	6 = 6" HIGH		12 = 12" WIDE
A = ALUMINUM			18 = 18" WIDE
4SS = 304 STAINLESS STEEL			24 = 24" WIDE
6SS = 316 STAINLESS STEEL			36 = 36" WIDE



4 International Drive
Rye Brook, NY 10573
Toll Free: 1 888.764.7681
Phone: 914.934.2075
Fax: 914.934.2190
MonoSystems.com



MonoSystems
wire management. managed.