

Cable Tray / Trough Tray SBXX-BE-XX

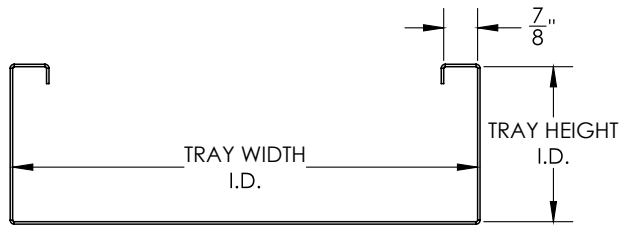
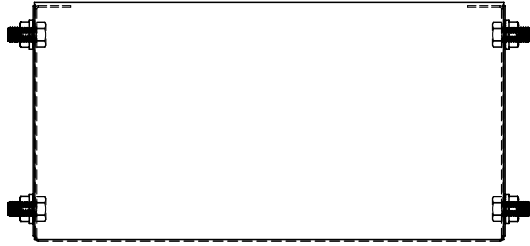
TroughTray™ Accessories
Manufactured in the USA by MonoSystems, Inc.



BLIND END

Notes

- 1.) Ordered as each. Use to terminate run of tray.
- 2.) 3/8" Mounting hardware provided.
- 3.) Recommended torque: For 3/8" fasteners: 25-35 ft-lbs [33.9-47.5 N-m].
- 4.) Views for reference - do not scale.

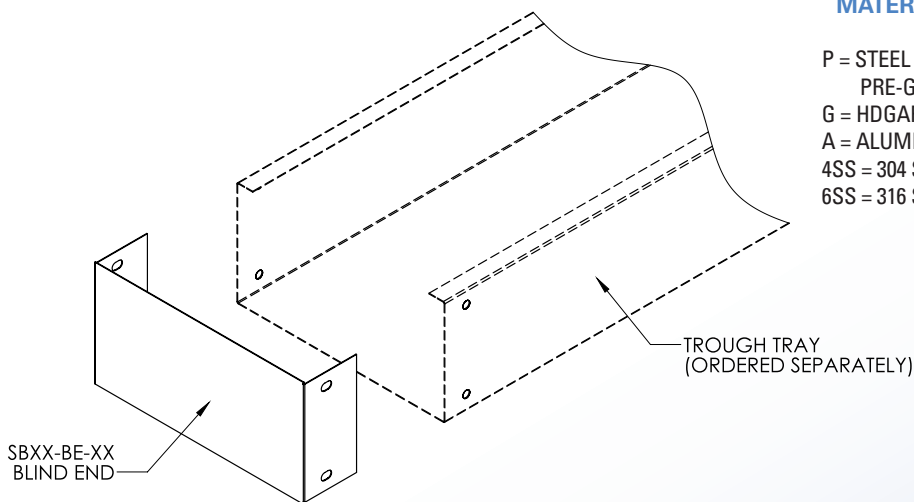


ORDERING DATA EXAMPLE:

SBXX-BE-XX

 MATERIAL
  TRAY HEIGHT
  TRAY WIDTH

P = STEEL	3 = 3" HIGH	06 = 6" WIDE
PRE-GALV	4 = 4" HIGH	09 = 9" WIDE
G = HDGAF	6 = 6" HIGH	12 = 12" WIDE
A = ALUMINUM		18 = 18" WIDE
4SS = 304 STAINLESS STEEL		24 = 24" WIDE
6SS = 316 STAINLESS STEEL		36 = 36" WIDE



4 International Drive
Rye Brook, NY 10573
Toll Free: 1 888.764.7681
Phone: 914.934.2075
Fax: 914.934.2190
MonoSystems.com



MonoSystems™
wire management. managed.™