

Cable Tray / Trough Tray CS-SBXX-2094-XX

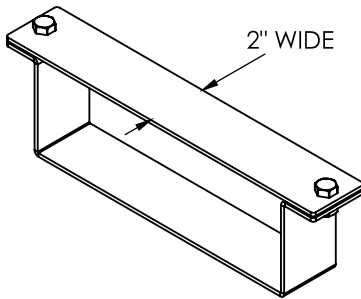
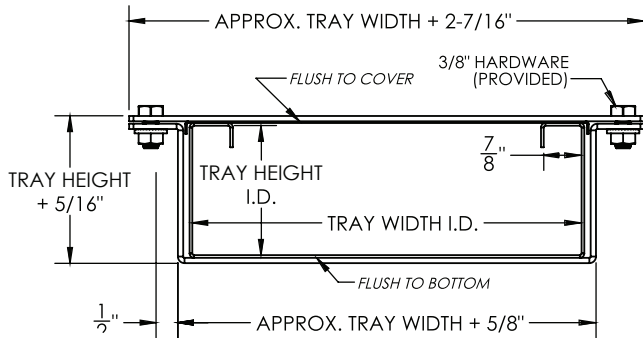
TroughTray™ Accessories
Manufactured in the USA by MonoSystems, Inc.



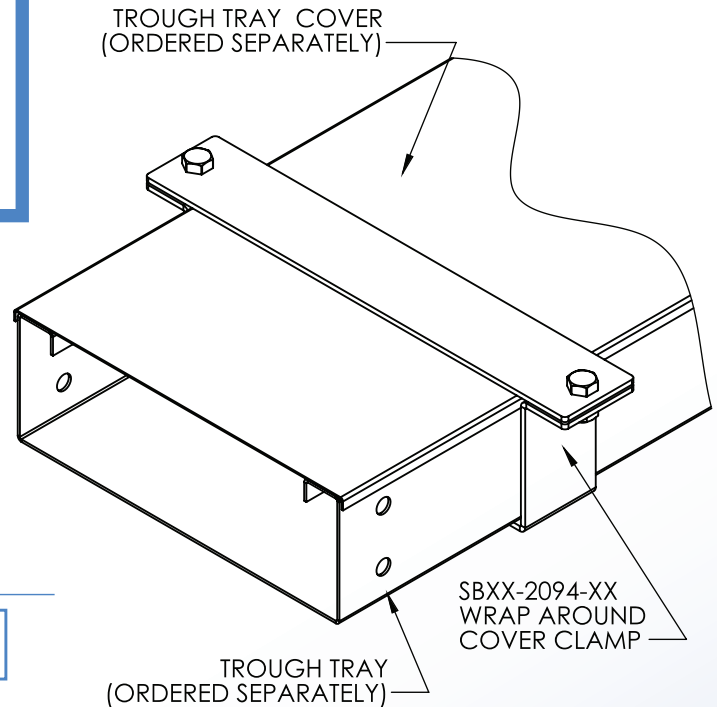
WRAP AROUND COVER CLAMP

Notes

- 1.) Ordered as 1-clamp use to hold trough tray cover in place.
- 2.) 3/8" Mounting hardware provided.
- 3.) **To install:** Place 1 part of cover clamp around trough tray cover and tray assembly. Place 2nd part around opposite end of trough tray, align clamp holes and install hardware.
- 4.) Recommended torque: For 3/8" fasteners: 25-35 ft-lbs [33.9-47.5 N-m].
- 4.) Views for reference - Do not scale.



FILE: E80034



ORDERING DATA EXAMPLE:

SB-XX-2094-XX

MATERIAL

P = STEEL
PRE-GALV
G = HDGAF
A = ALUMINUM
4SS = 304 STAINLESS STEEL
6SS = 316 STAINLESS STEEL

TRAY HEIGHT

3 = 3"
4 = 4"
6 = 6"

TRAY WIDTH

06 = 6" WIDE
09 = 9" WIDE
12 = 12" WIDE
18 = 18" WIDE
24 = 24" WIDE
36 = 36" WIDE

4 International Drive
Rye Brook, NY 10573
Toll Free: 1 888.764.7681
Phone: 914.934.2075
Fax: 914.934.2190
MonoSystems.com

