

Cable Tray / Trough Tray

SBXX-2011-PR

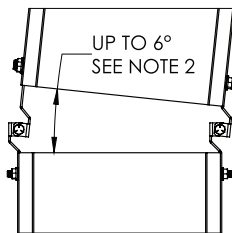
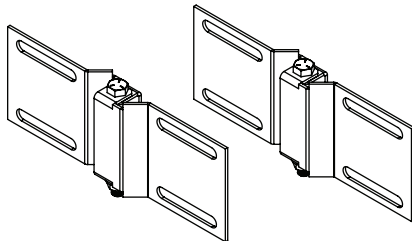
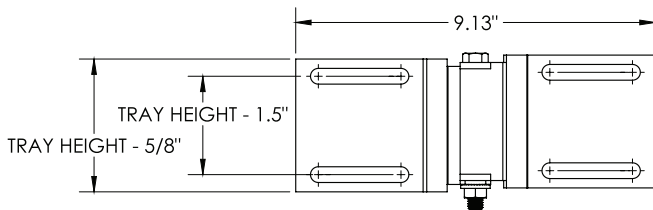
TroughTray™ Accessories

Manufactured by MonoSystems, Inc.

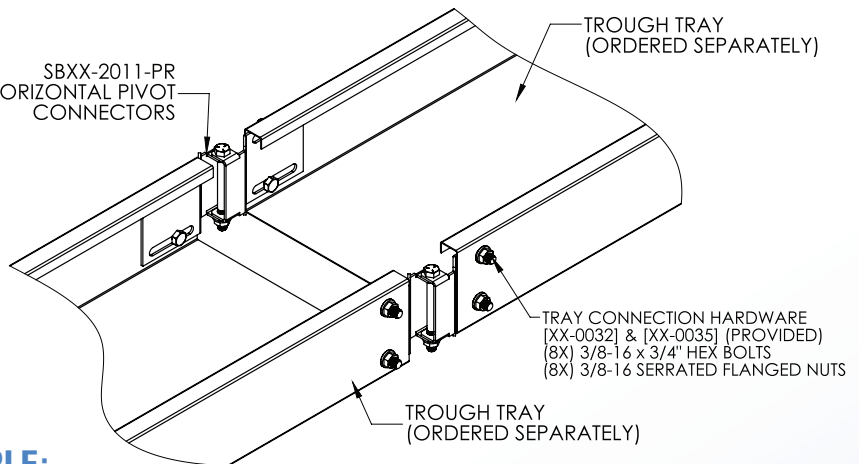
HORIZONTAL PIVOT CONNECTORS FOR TROUGH TRAY

Notes:

- 1.) Ordered as pairs. Includes two pivot connectors with 3/8-16 pivot and 3/8-16 tray mounting hardware (enough for one tray to tray connection).
- 2.) Used to accommodate changes in horizontal direction up to 6°. Mounting slots allow for movement when positioning desired angle.
- 3.) Installation instructions: align horizontal pivot connector to mounting locations at end of tray. Install horizontal pivot connectors inside tray using supplied 3/8-16 hardware as shown.
- 4.) Recommended torque for 3/8" fasteners: 35 ft-lbs [47.5 N-m].
- 5.) Views for reference - do not scale.



SBXX-2011-PR
HORIZONTAL PIVOT
CONNECTORS



ORDERING DATA EXAMPLE:

SBXX-2011-PR

MATERIAL

P = STEEL PRE-GALV
G = HDGAF
A = ALUMINUM
SS = 304 STAINLESS STEEL

TRAY HEIGHT

3 = 3"
4 = 4"
6 = 6"

4 International Drive
Rye Brook, NY 10573
Toll Free: 1 888.764.7681
Phone: 914.934.2075
Fax: 914.934.2190
MonoSystems.com

