

# Cable Tray / Channel Tray SBX1XX-DIV-XXHB-XXXX

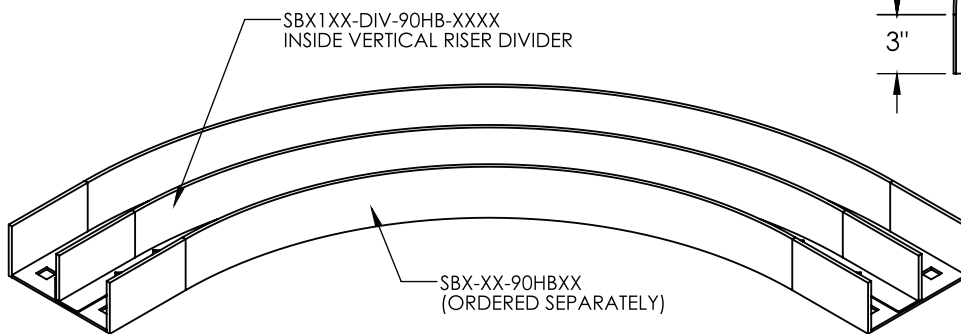
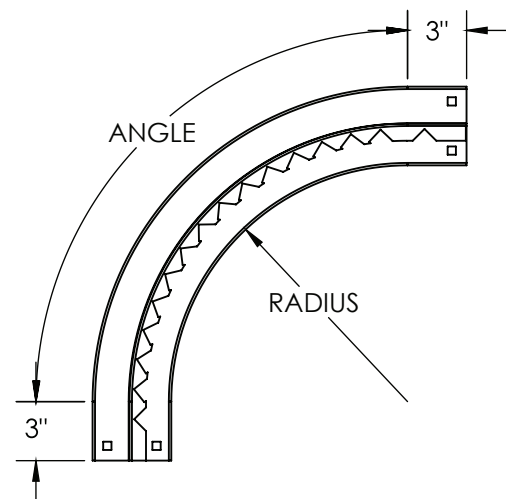
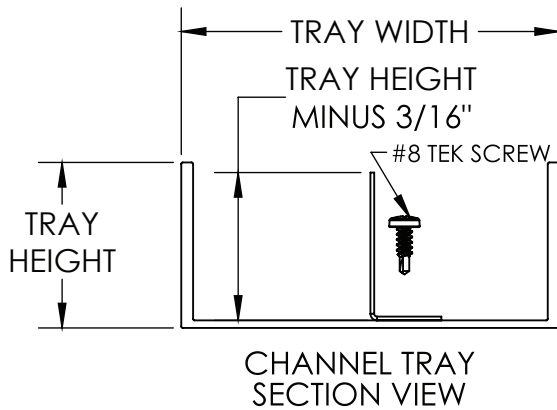
Channel Tray Fittings  
Manufactured in the USA by MonoSystems, Inc.



## CHANNEL TRAY DIVIDER, HORIZONTAL BEND

### Notes:

- 1.) Attach divider to channel tray using #8 tek screws as shown.
- 2.) Views for reference - Do not scale.



### ORDERING DATA EXAMPLE:

**SB X 1 XX - DIV - 90 HB - XX XX**

#### MATERIAL

A = ALUMINUM  
P = PREGRAV STEEL  
G = HDGAF STEEL  
SS4 = STAINLESS STEEL 304  
SS6 = STAINLESS STEEL 316

#### TRAY HEIGHT

125 = 1.25" HIGH  
(3" WIDE)  
175 = 1.75" HIGH  
(4" WIDE OR 6" WIDE)

#### ANGLE

90 = 90°  
60 = 60°  
45 = 45°  
30 = 30°

#### TYPE

HB = HORIZONTAL  
BEND

#### RADIUS

12 = 12"  
24 = 24"  
36 = 36"  
48 = 48"

#### WIDTH

03 = 3"  
04 = 4"  
06 = 6"

4 International Drive  
Rye Brook, NY 10573  
Toll Free: 1 888.764.7681  
Phone: 914.934.2075  
Fax: 914.934.2190  
MonoSystems.com

