

# Cable Tray / Channel Tray SBX1XX-DIV-1XX

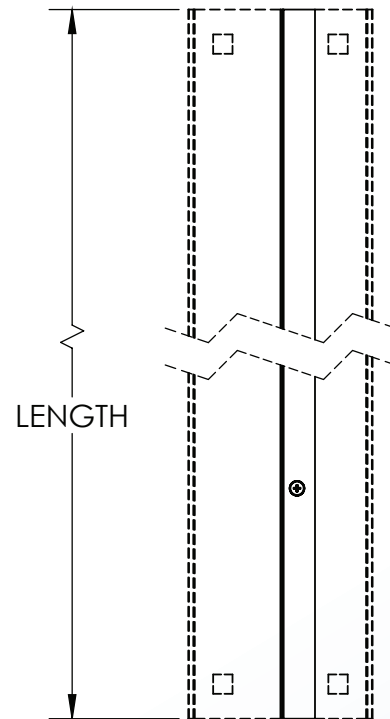
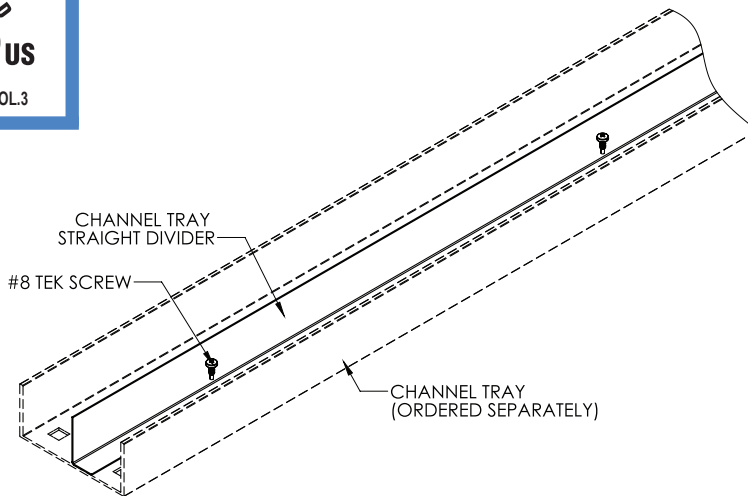
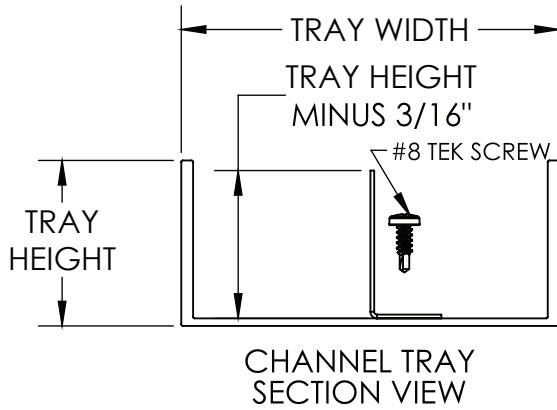
Channel Tray Fittings  
Manufactured in the USA by MonoSystems, Inc.



## CHANNEL TRAY STRAIGHT DIVIDER

### Notes:

- 1.) Align divider and attach to channel tray using #8 tek screws as shown.
- 2.) Views for reference - Do not scale.



### ORDERING DATA EXAMPLE:

**SB X 1 XX-DIV-1XX**

#### MATERIAL

A = ALUMINUM  
P = PREGLAV STEEL  
G = HDGAF STEEL  
SS4 = STAINLESS STEEL 304  
SS6 = STAINLESS STEEL 316

#### TRAY HEIGHT

125 = 1.25" HIGH  
(3" WIDE)  
175 = 1.75" HIGH  
(4" WIDE OR 6" WIDE)

#### LENGTH

120 = 10ft  
144 = 12ft

4 International Drive  
Rye Brook, NY 10573  
Toll Free: 1 888.764.7681  
Phone: 914.934.2075  
Fax: 914.934.2190  
MonoSystems.com

