

Cable Tray / Trough Tray SBX-DO-XX

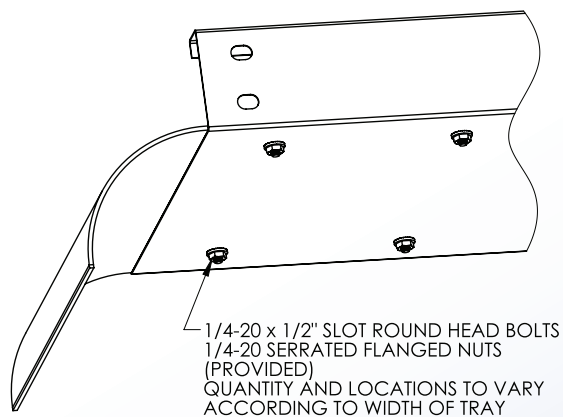
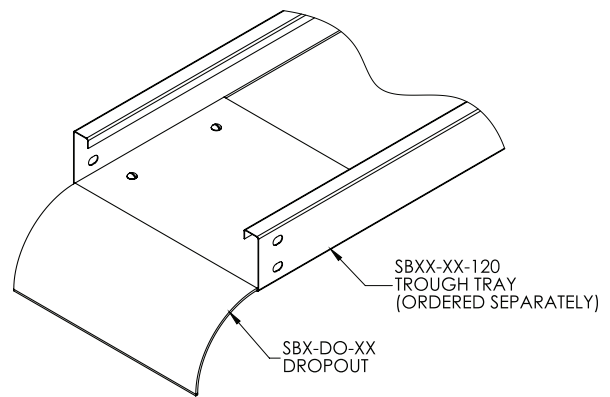
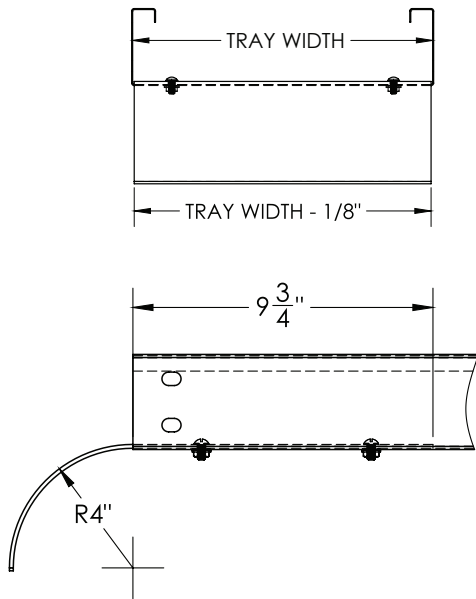
TroughTray™ Accessories

Manufactured by MonoSystems, Inc.

END OF TRAY DROP OUT

Notes:

- 1.) Use to exit cables at end of trough run.
- 2.) Includes $\varnothing 1/4"$ tray mounting hardware.
- 3.) Installation instructions: align drop out at end of tray.
Mark hole locations in tray using drop out as a template.
Remove and field drill $\varnothing 5/16"$ holes. Install dropout to tray using supplied 1/4-20 hardware as shown.
- 4.) Views for reference - do not scale.



ORDERING DATA EXAMPLE:

SBX-DO-XX

MATERIAL

P = STEEL PRE-GALV
G = HDGAF
A = ALUMINUM
SS = 304 STAINLESS STEEL

TRAY HEIGHT

06 = 6"
09 = 9"
12 = 12"
18 = 18"
24 = 24"
36 = 36"