

Cable Tray / Trough Tray SBX-CTA-X

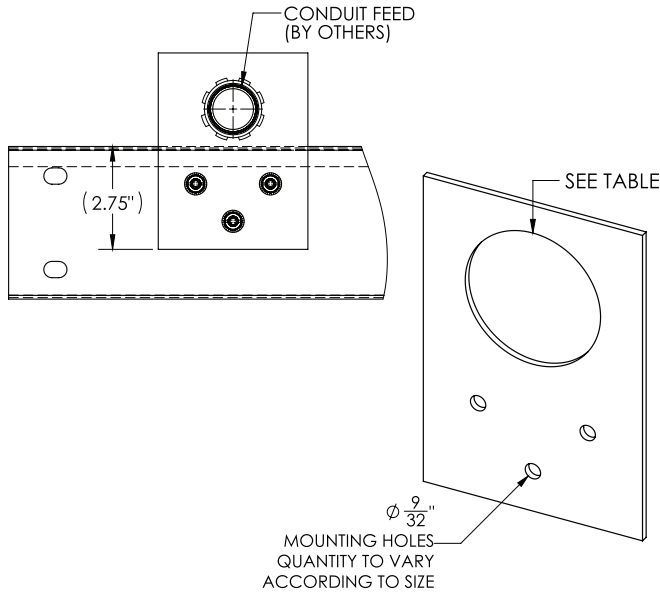
TroughTray™ Accessories

Manufactured by MonoSystems, Inc.

CONDUIT ADAPTOR PLATE

Notes:

- 1.) Use to attach a conduit feed to side of tray.
- 2.) Includes $\text{Ø } 1/4''$ tray mounting hardware.
- 3.) Installation instructions: align conduit adaptor plate with side of tray. Be sure there is enough clearance above the top tray flange while also allowing access to tighten mounting screws within the tray. Once aligned, mark hole locations in tray using conduit adaptor as a template. Remove and field drill $\text{Ø } 5/16''$ holes. Install conduit adaptor to side flange of tray using supplied 1/4-20 hardware as shown.
- 4.) Views for reference - do not scale.



PART NUMBER	TRADE CONDUIT SIZE	HOLE DIAMETER
SBX-CTA-.5	1/2"	$\text{Ø } 7/8''$
SBX-CTA-.75	3/4"	$\text{Ø } 1-1/8''$
SBX-CTA-1	1"	$\text{Ø } 1-3/8''$
SBX-CTA-1.5	1-1/4"	$\text{Ø } 1-3/4''$
SBX-CTA-2	2"	$\text{Ø } 2-1/2''$
SBX-CTA-2.5	2-1/2"	$\text{Ø } 3''$
SBX-CTA-3	3	$\text{Ø } 3-9/16''$

ADDITIONAL SIZES AVAILABLE, SPEAK WITH MONOSYSTEMS

ORDERING DATA EXAMPLE:

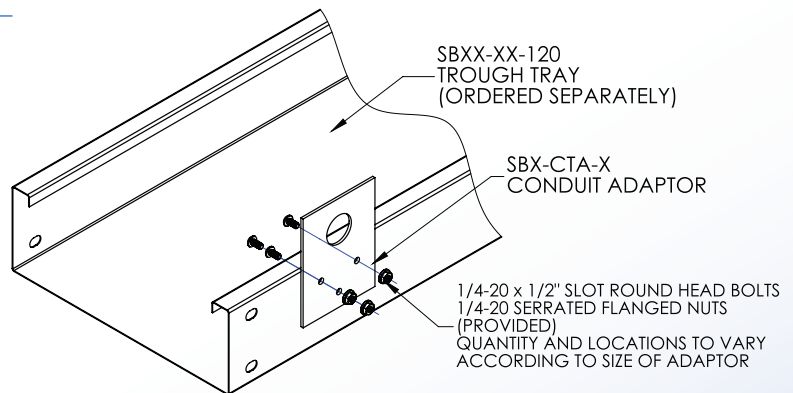
SBX-CTA-X

MATERIAL

P = STEEL PRE-GALV
G = HDGAF
A = ALUMINUM
SS = 304 STAINLESS STEEL

CONDUIT SIZE

SEE TABLE



4 International Drive
Rye Brook, NY 10573
Toll Free: 1 888.764.7681
Phone: 914.934.2075
Fax: 914.934.2190
MonoSystems.com

