

Cable Tray / Trough Tray

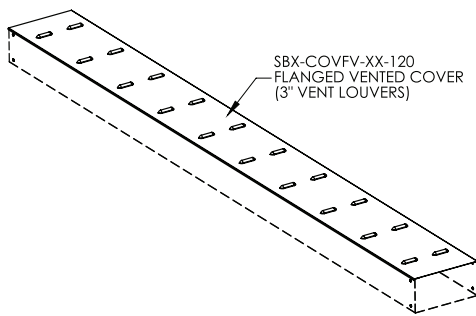
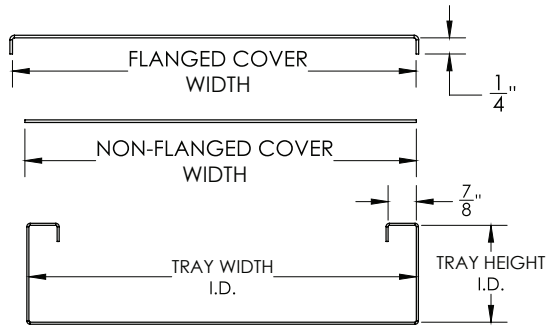
SBX-COVX-XX-XXX

TroughTray™ Accessories
 Manufactured by MonoSystems, Inc.

COVER

Notes:

- 1.) Standard cover length: 120" [10ft].
- 2.) Each cover provided with (10) #8 self drilling tek screws for mounting. Recommended attachment locations: 3/8" from edges width wise & 1" from end length wise, followed by 29-1/2" O.C.
- 3.) Views for reference - do not scale.



ORDERING DATA EXAMPLE:

SBX-COVX-XX-120

MATERIAL

P = STEEL
 PRE-GALV
 G = HDGAF
 A = ALUMINUM
 4SS = 304 STAINLESS STEEL
 6SS = 316 STAINLESS STEEL

COVER TYPE

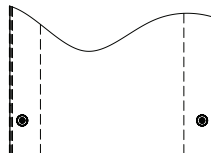
LEAVE BLANK) = NON-FLANGED
 F = FLANGED
 V = VENTED
 FV = FLANGED VENTED

LENGTH

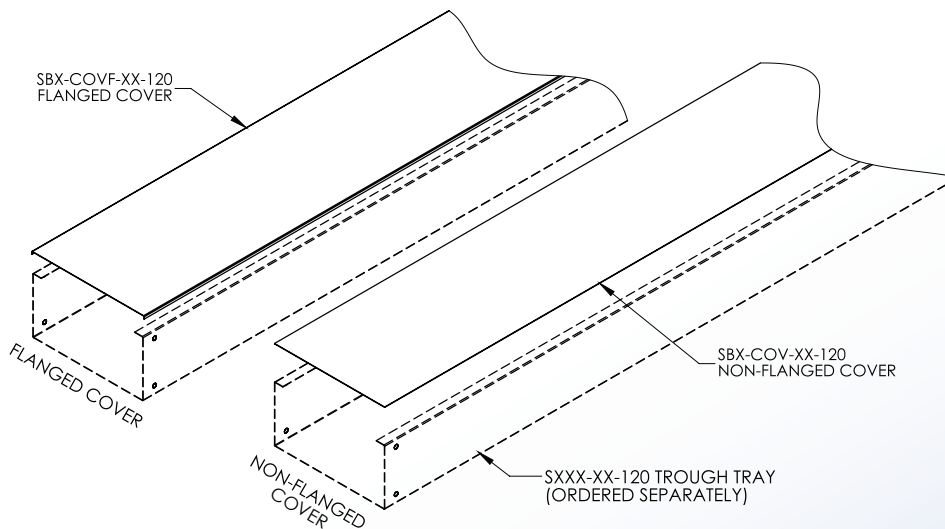
120 = 10' LONG

TRAY WIDTH

06 = FOR 6" WIDE
 09 = FOR 9" WIDE
 12 = FOR 12" WIDE
 18 = FOR 18" WIDE
 24 = FOR 24" WIDE
 30 = FOR 30" WIDE
 36 = FOR 36" WIDE



TEK SCREWS
 (PROVIDED)



4 International Drive
 Rye Brook, NY 10573
 Toll Free: 1 888.764.7681
 Phone: 914.934.2075
 Fax: 914.934.2190
 MonoSystems.com

