

Cable Tray / TroughTray SBX-COV-SR-XXXX

TroughTray™ Fittings

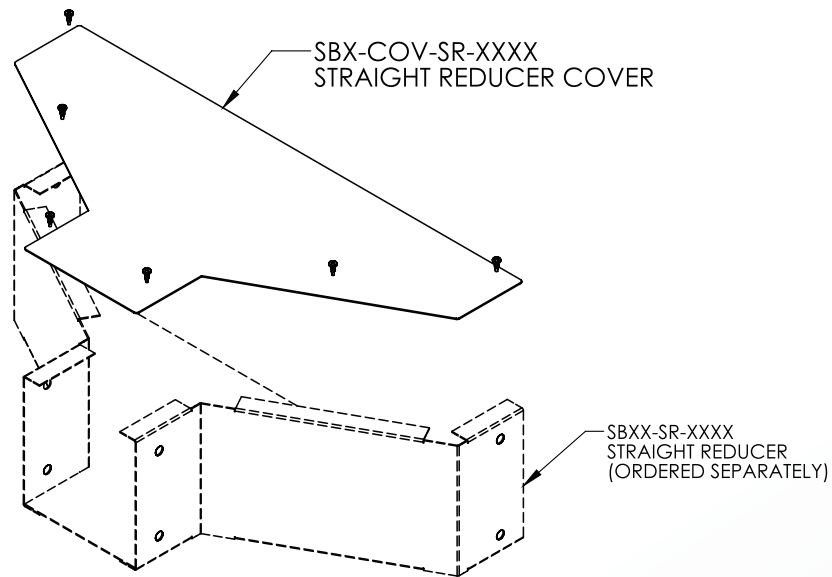
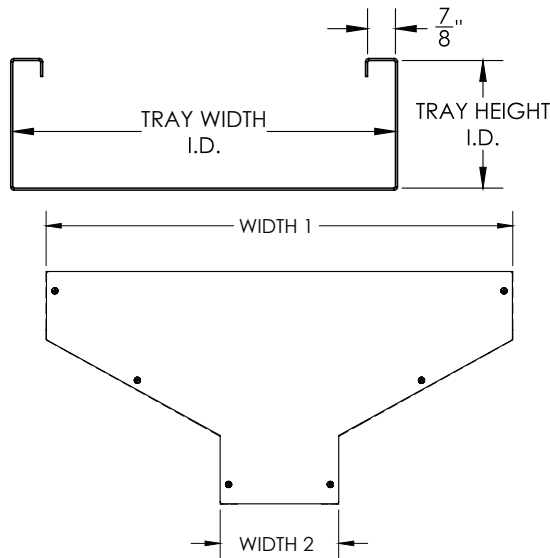
Manufactured in the USA by MonoSystems, Inc.



STRAIGHT REDUCER COVER

Notes

- 1.) Ordered as each. Fittings ordered separately.
- 2.) Each cover provided with #8 TEK screws for mounting.
- 3.) Views for reference - do not scale.



ORDERING DATA EXAMPLE:

SBX-COVX-SR-XXXX

MATERIAL

P = STEEL
 PRE-GALV
 G = HDGAF
 A = ALUMINUM
 4SS = 304 STAINLESS STEEL
 6SS = 316 STAINLESS STEEL

COVER TYPE

(LEAVE BLANK) = NON-FLANGED
 F = FLANGED
 V = VENTED
 FV = FLANGED VENTED

WIDTH 1

09 = 9" WIDE
 12 = 12" WIDE
 18 = 18" WIDE
 24 = 24" WIDE
 36 = 36" WIDE

WIDTH 2

06 = 6" WIDE
 09 = 9" WIDE
 12 = 12" WIDE
 18 = 18" WIDE
 24 = 24" WIDE

4 International Drive
 Rye Brook, NY 10573
 Toll Free: 1 888.764.7681
 Phone: 914.934.2075
 Fax: 914.934.2190
 MonoSystems.com



MonoSystems™
 wire management. managed.