

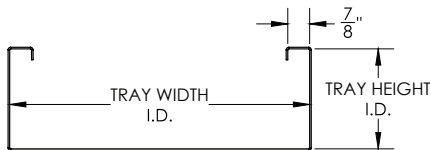
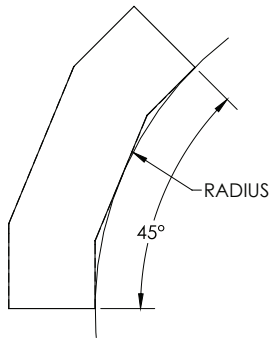
# Cable Tray / Trough Tray SBX-COVX-HE45-XXXX

## TroughTray™ Fittings

Manufactured in the USA by MonoSystems, Inc.



### HORIZONTAL ELBOW 45° BEND COVER

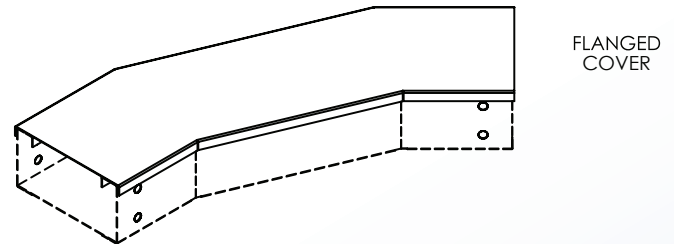
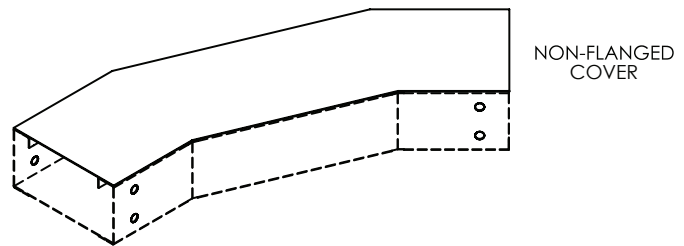
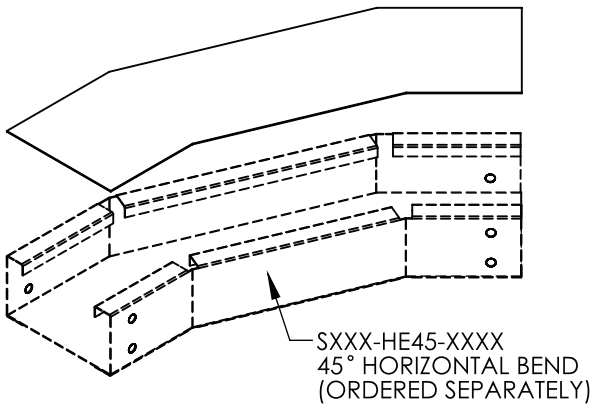


#### Notes

- 1.) Ordered as each. Fittings ordered separately.
- 2.) Each cover provided with 8x1/2" self drilling TEK screws for mounting.
- 3.) Views for reference - do not scale.



FILE: E80034  
VOL.3



#### ORDERING DATA EXAMPLE:

**SBX-COVX-HE45-XX XX**

#### MATERIAL

P = STEEL  
PRE-GALV  
G = HDGAF  
A = ALUMINUM  
4SS = 304 STAINLESS STEEL  
6SS = 316 STAINLESS STEEL

#### COVER TYPE

(LEAVE BLANK) = NON-FLANGED  
F = FLANGED  
V = VENTED  
FV = FLANGED VENTED

#### RADIUS

12 = 12"  
24 = 24"

#### TRAY WIDTH

06 = 6" WIDE  
09 = 9" WIDE  
12 = 12" WIDE  
18 = 18" WIDE  
24 = 24" WIDE  
36 = 36" WIDE

4 International Drive  
Rye Brook, NY 10573  
Toll Free: 1 888.764.7681  
Phone: 914.934.2075  
Fax: 914.934.2190  
MonoSystems.com



**MonoSystems**  
wire management. managed.