

Cable Tray / Trough Tray SBX-COVX-HE30-XXXX

TroughTray™ Fittings

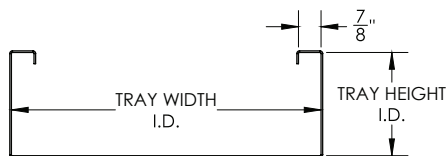
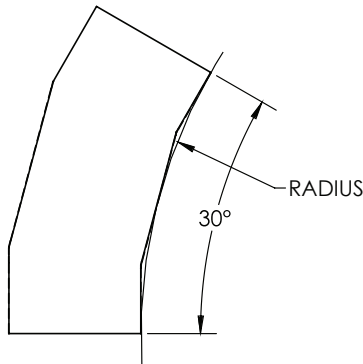
Manufactured in the USA by MonoSystems, Inc.



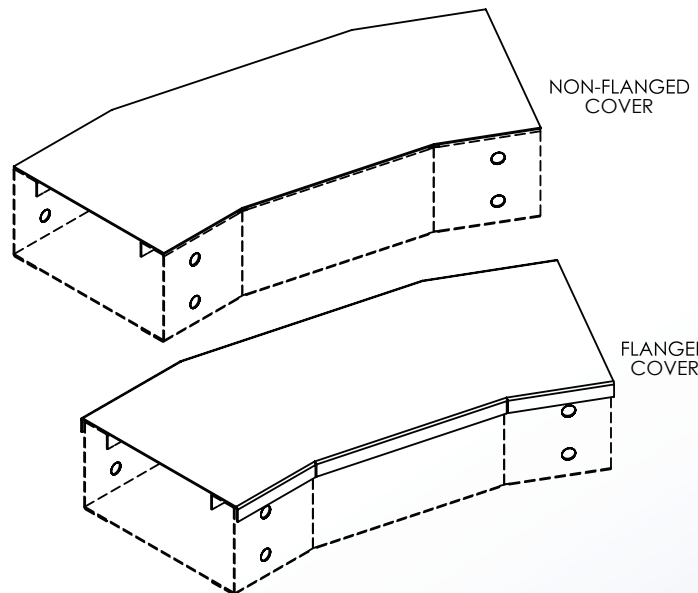
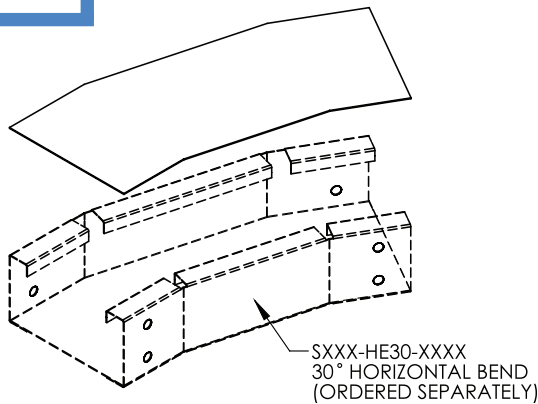
HORIZONTAL ELBOW 30° BEND COVER

Notes

- 1.) Ordered as each. Fittings ordered separately.
- 2.) Each cover provided with 8x1/2" self drilling TEK screws for mounting.
- 3.) Views for reference - do not scale.



FILE: E80034
VOL.3



ORDERING DATA EXAMPLE:

SBX-COVX-HE30-XX XX

MATERIAL

P = STEEL
PRE-GALV
G = HDGAF
A = ALUMINUM
4SS = 304 STAINLESS STEEL
6SS = 316 STAINLESS STEEL

COVER TYPE

(LEAVE BLANK) = NON-FLANGED
F = FLANGED
V = VENTED
FV = FLANGED VENTED

RADIUS

12 = 12"
24 = 24"

TRAY WIDTH

06 = 6" WIDE
09 = 9" WIDE
12 = 12" WIDE
18 = 18" WIDE
24 = 24" WIDE
36 = 36" WIDE

4 International Drive
Rye Brook, NY 10573
Toll Free: 1 888.764.7681
Phone: 914.934.2075
Fax: 914.934.2190
MonoSystems.com



MonoSystems
wire management. managed.