

Cable Tray / Channel Tray SBX-B185CCL

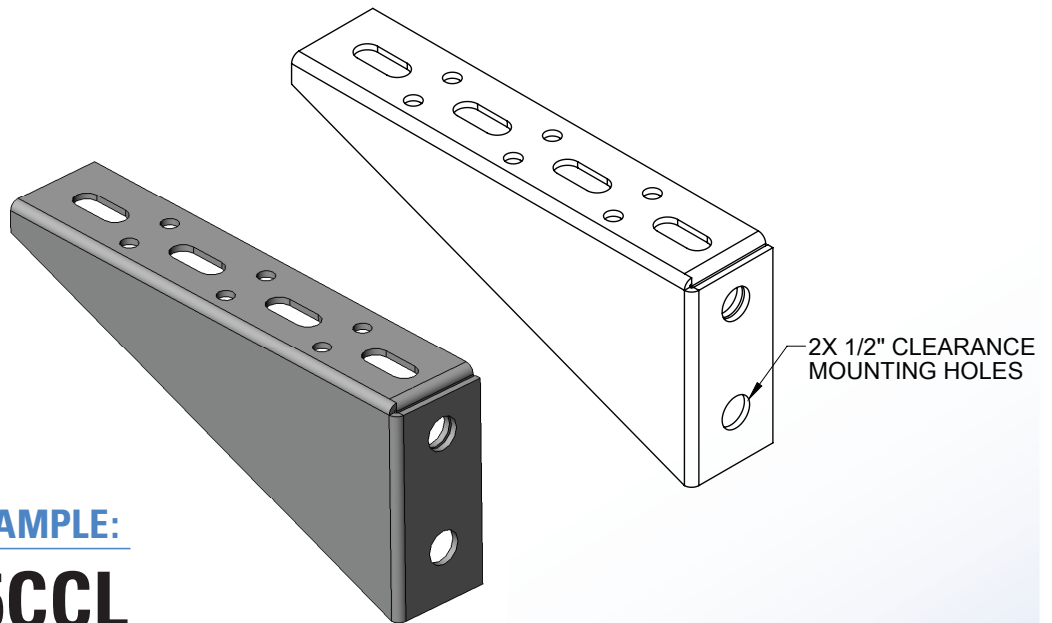
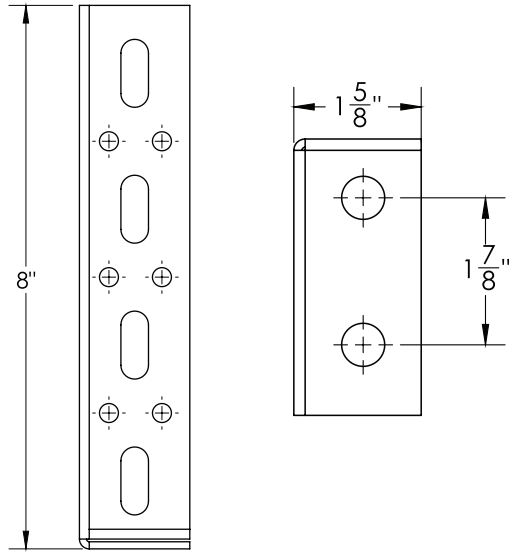
Channel Tray Accessories
Manufactured in the USA by MonoSystems, Inc.



CHANNEL TRAY WALL BRACKET

Notes:

- 1.) Attach bracket to surface using 1/2" hardware (by others).
- 2.) Uniform load: 225 lbs [1.00Kn] safety factor of 2.5
- 3.) Views for reference - do not scale.



ORDERING DATA EXAMPLE:

SBX-B185CCL

MATERIAL

P = PREGLAV STEEL
G = HDGAF STEEL

4 International Drive
Rye Brook, NY 10573
Toll Free: 1 888.764.7681
Phone: 914.934.2075
Fax: 914.934.2190
MonoSystems.com

