

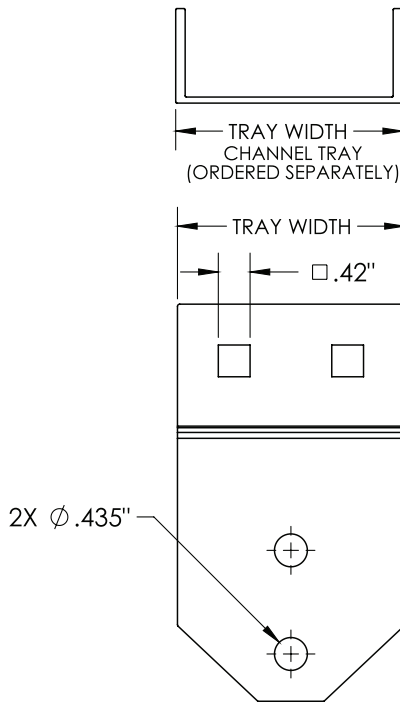
Cable Tray / Channel Tray SBX-174X

Channel Tray™ Accessories
Manufactured by MonoSystems, Inc.

HORIZONTAL ADJUSTABLE SPLICE PLATE

Notes

- 1.) Includes (1) set of brackets and (4) 3/8-16 x 3/4" carriage bolts, (4) 3/8-16 serrated flange nuts, (2) 3/8-16 nylon lock nuts and (2) 3/8-16 X 3/4" socket button head cap screws.
- 2.) Recommended torque: for 3/8" fasteners 35 ft-lbs [47.5 N-m].
- 3.) Tray must be supported within 12" of each side of pivot (supports by others).
- 4.) Views for reference - do not scale.



ORDERING DATA EXAMPLE:

SBX-174X

MATERIAL

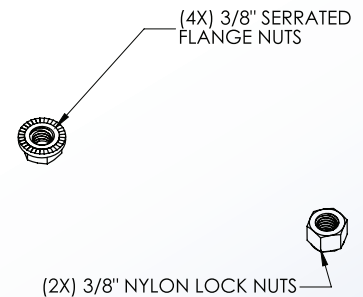
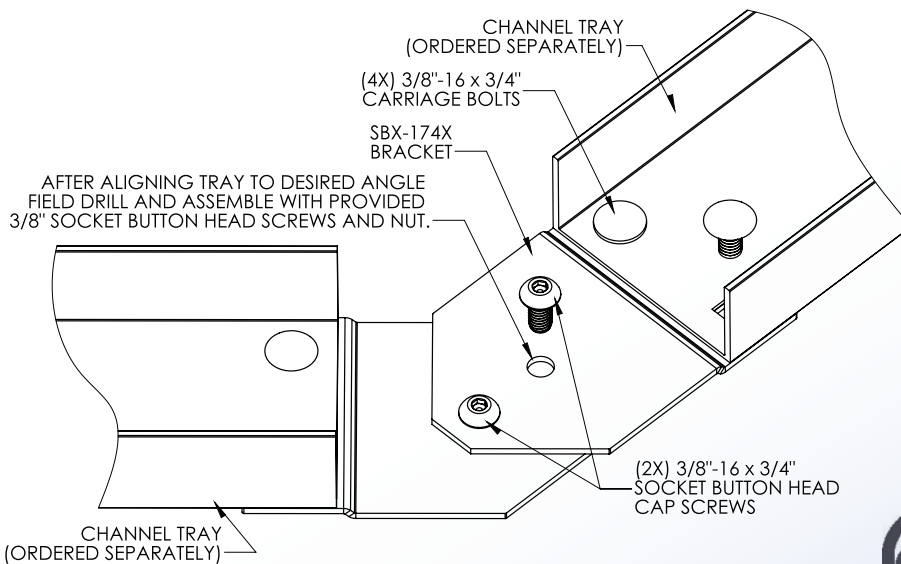
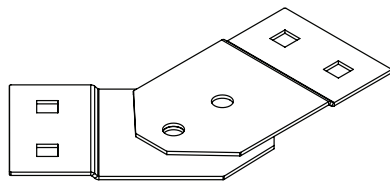
A = ALUMINUM
P = PRE GALV STEEL
G = HDGAF STEEL
SS4 = STAINLESS STEEL 304
SS6 = STAINLESS STEEL 316

WIDTH

3 = 3"
4 = 4"
6 = 6"



FILE: E80034 Vol.3



4 International Drive
Rye Brook, NY 10573
Toll Free: 1 888.764.7681
Phone: 914.934.2075
Fax: 914.934.2190
MonoSystems.com

