

Cable Tray / Channel Tray

SBX-164X

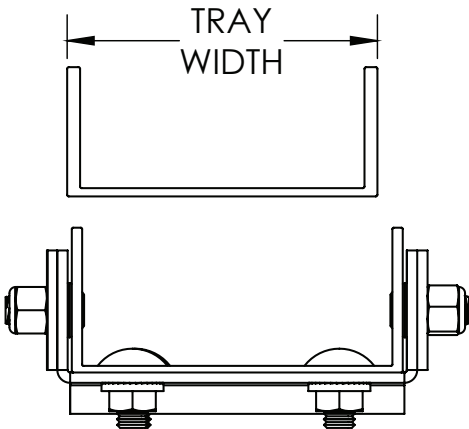
Channel Tray Accessories

Manufactured by MonoSystems, Inc.

VERTICAL ADJUSTABLE SPLICE PLATE

Notes:

- 1.) Attach splice plate to channel using provided 3/8" hardware as shown.
- 2.) Recommended Torque: for 3/8" fasteners 25-35 ft-lbs [33.9-47.5 N-M].
- 3.) Views for reference - do not scale.



ORDERING DATA EXAMPLE:

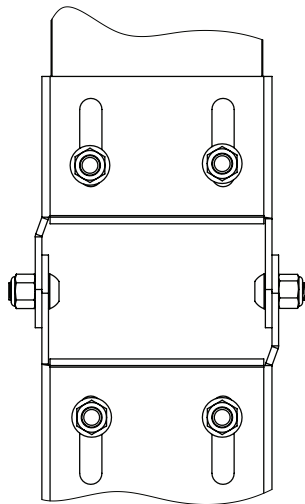
SB X - 164 X

MATERIAL

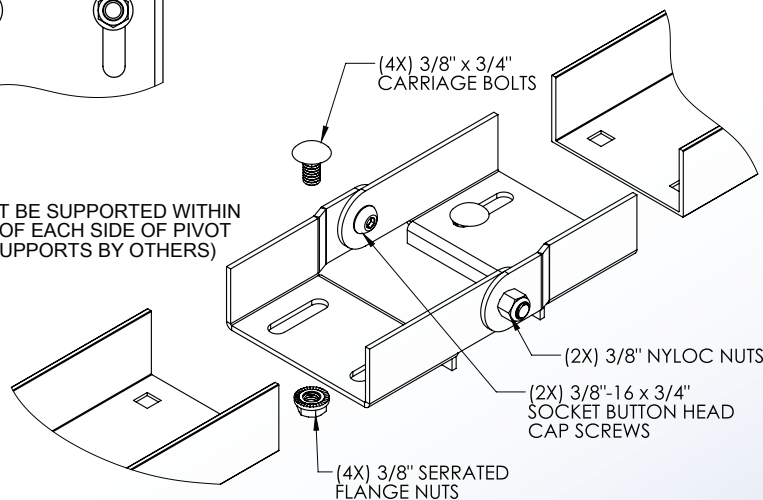
A = ALUMINUM
 P = PREGLAV STEEL
 G = HDGAF STEEL
 SS4 = STAINLESS STEEL 304
 SS6 = STAINLESS STEEL 316

WIDTH

3 = 3'
 4 = 4'
 6 = 6'



MUST BE SUPPORTED WITHIN
 24" OF EACH SIDE OF PIVOT
 (SUPPORTS BY OTHERS)



4 International Drive
 Rye Brook, NY 10573
 Toll Free: 1 888.764.7681
 Phone: 914.934.2075
 Fax: 914.934.2190
 MonoSystems.com

