

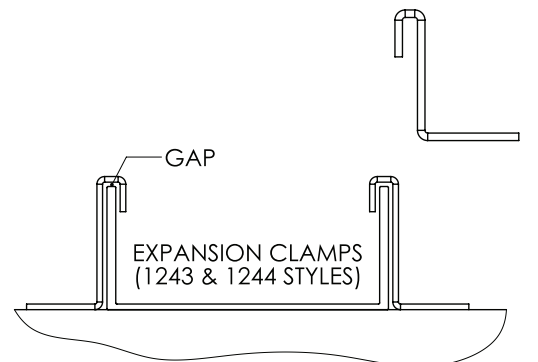
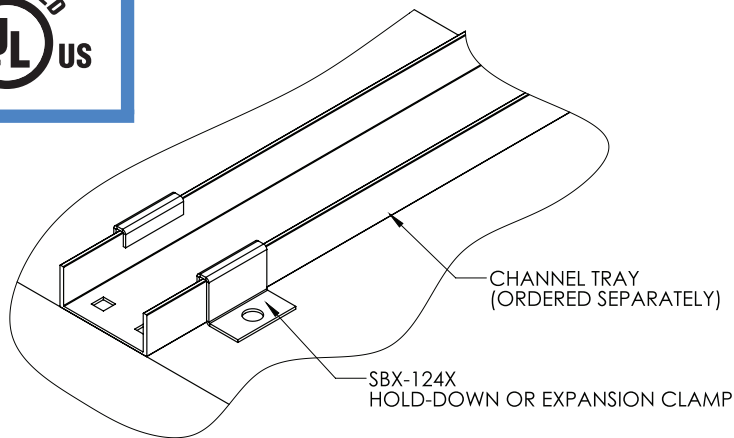
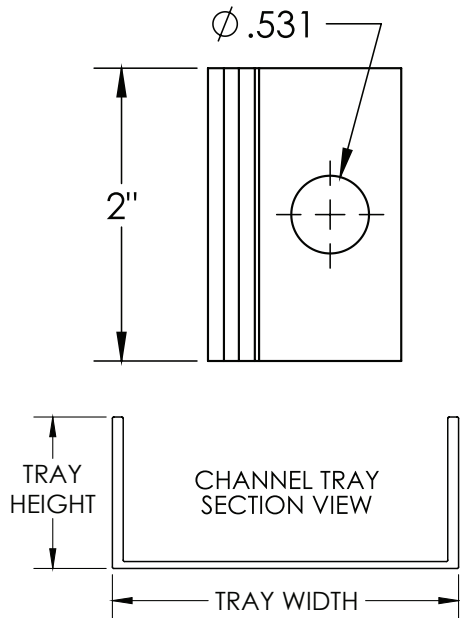
Channel Tray SBX-124X

Channel Tray Accessories
Manufactured in the USA by MonoSystems, Inc.

HOLD-DOWN (OR) EXPANSION CLAMP

Notes:

- 1.) Furnished as one clamp. 1/2" Mounting hardware ordered separately.
- 2.) Not for use with channel tray using cover.
- 3.) Views for reference - do not scale.



VERTICAL GAP ALLOWS FOR TRAY MOVEMENT



SECURES CHANNEL TRAY TO SUPPORT

ORDERING DATA EXAMPLE:

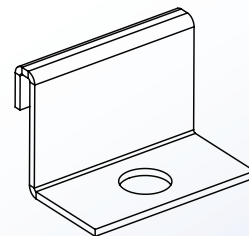
SB X-124 X

MATERIAL

A = ALUMINUM
P = PREGALV STEEL
SS4 = STAINLESS STEEL 304
SS6 = STAINLESS STEEL 316

STYLE & TRAY WIDTH

3 = EXPANSION 3" WIDE
4 = EXPANSION 4" AND 6" WIDE
5 = HOLD DOWN 3" WIDE
6 = HOLD DOWN 4" AND 6" WIDE



4 International Drive
Rye Brook, NY 10573
Toll Free: 1 888.764.7681
Phone: 914.934.2075
Fax: 914.934.2190
MonoSystems.com

