

# Cable Tray / Channel Tray

## SB-COVCL-04

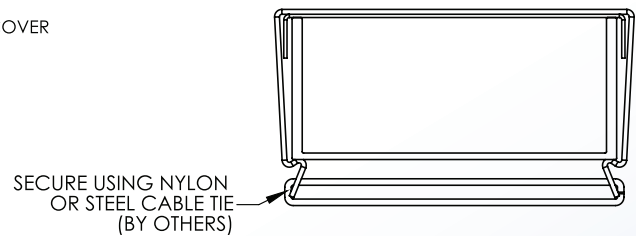
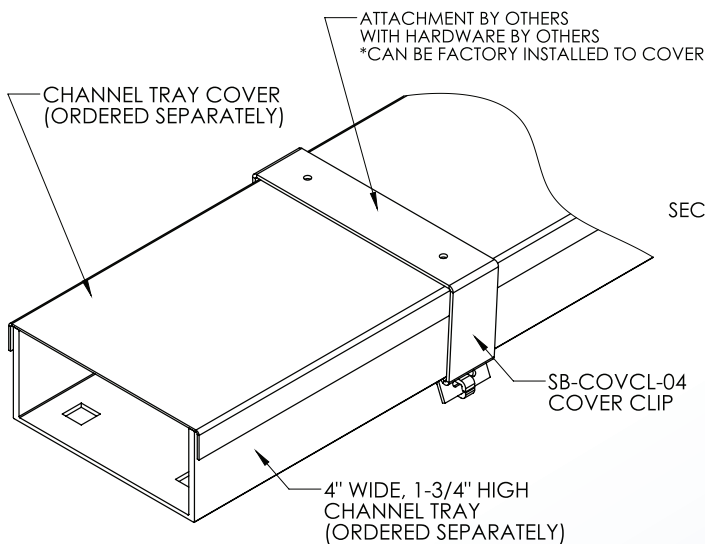
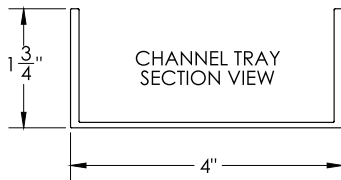
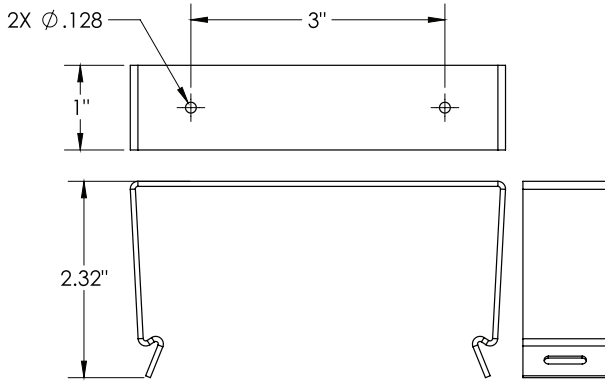
Channel Tray Accessories  
 Manufactured in the USA by MonoSystems, Inc.



### COVER CLIP, 4" WIDE CHANNEL TRAY

#### Notes

- 1.) **To install:** attach cover clip around channel tray cover and tray assembly. Adjust each end around channel tray bottom until tension holds the clip in place.  
**To remove:** insert a flat head screw driver (or similar) into slot in bottom angled flange and gently pry outward until clip is no longer captured around channel tray base.
- 2.) Clip material: 16ga 301 stainless steel.
- 3.) Ordered as each. for use with any material 4" wide channel tray.
- 4.) Views for reference - do not scale.



4 International Drive  
 Rye Brook, NY 10573  
 Toll Free: 1 888.764.7681  
 Phone: 914.934.2075  
 Fax: 914.934.2190  
 MonoSystems.com

