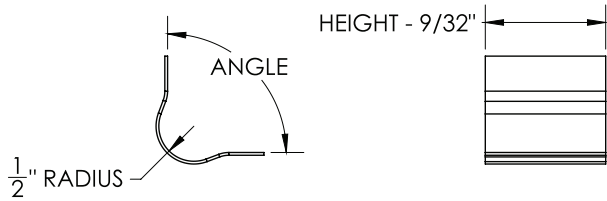


Cable Tray / RaceTray RTX-XXIR

RaceTray™ Fittings

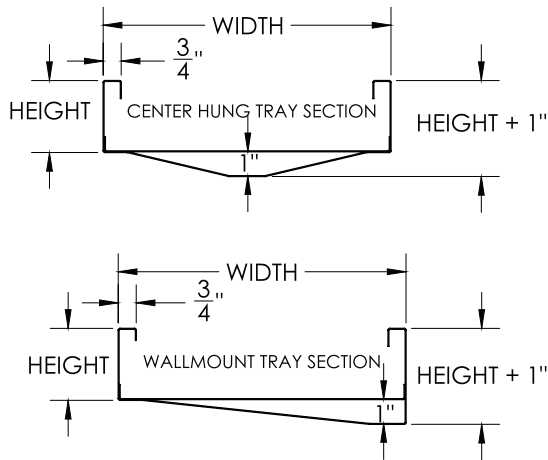
HORIZONTAL INSIDE RADIUS INSERTS



Notes

For steel RaceTray

- 1.) For radiusing a sharp edge.
- 2.) Each radius provided with fasteners for mounting.
- 3.) Views for reference - do not scale.



ORDERING DATA EXAMPLE:

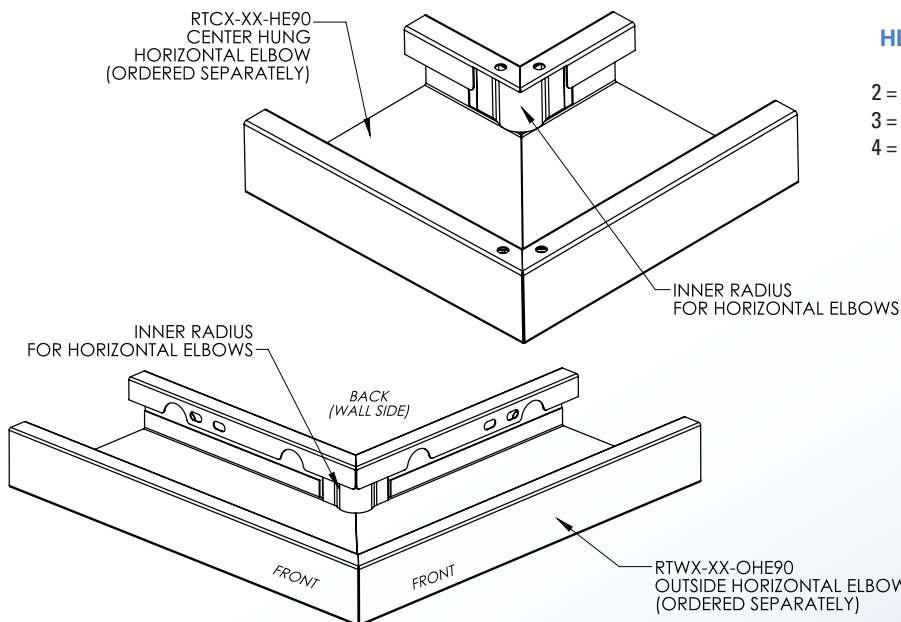
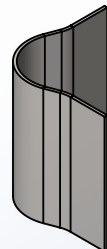
RTX-XXIR

HEIGHT

ANGLE

- 2 = 2" HIGH
- 3 = 3" HIGH
- 4 = 4" HIGH

- 90 = 90°
- 60 = 60°
- 45 = 45°



Niedax MonoSystems, Inc.
180 Hopkins Street
Buffalo, NY 14220
1 888.764.7681
Phone: 914.934.2075
Fax: 914.934.2190
MonoSystems.com

