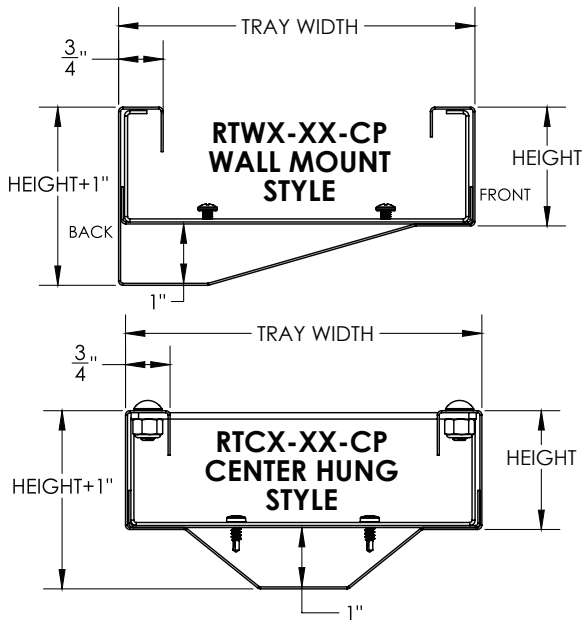


# Cable Tray / RaceTray

## RTX-XX-CP

## RaceTray™ Accessories

### COUPLING PLATE, STEEL RACETRAY



#### Notes

For wall mount or center hung RaceTray

- To install, insert coupling into end of race tray such that the bottom of the coupling rests on the race tray "floor". Align the coupling centered about the race tray seam.

#### Wall Mount:

Install by tightening included #8-32 pan hd screws allowing tension to hold in place. Fully remove powder coating at locations where screws contact tray. Recommended torque for #8-32 pan hd screws: 8 ft-lbs [10.84 nm].

#### Center Hung:

Install by tightening included (4) #8-32 tek screws thru Coupling pilot holes and into race tray floor. Quantity of fasteners dependant on width of tray

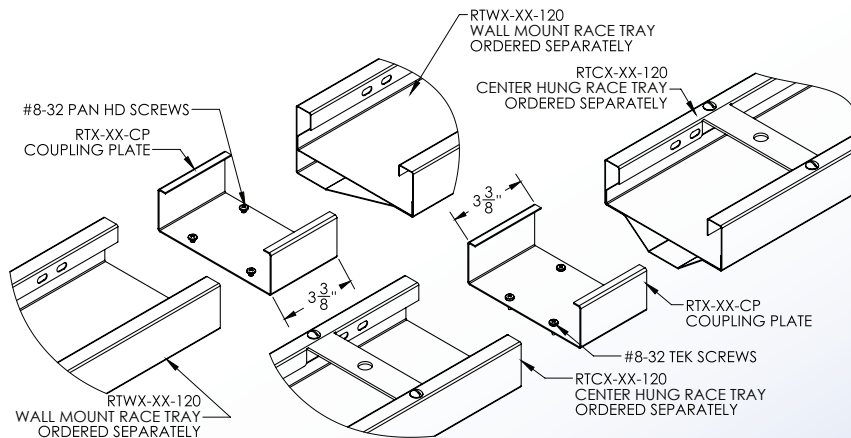
- Views for reference - do not scale.



#### ORDERING DATA EXAMPLE:

## RTXX-XX-CP

STYLE	HEIGHT	WIDTH
W = WALL MOUNT	2 = 2" HIGH	6 = 6" WIDE
C = CENTER HUNG	3 = 3" HIGH	9 = 9" WIDE
	4 = 4" HIGH	12 = 12" WIDE
		18 = 18" WIDE
		24 = 24" WIDE



Niedax MonoSystems, Inc.  
180 Hopkins Street  
Buffalo, NY 14220  
1 888.764.7681  
Phone: 914.934.2075  
Fax: 914.934.2190  
MonoSystems.com

