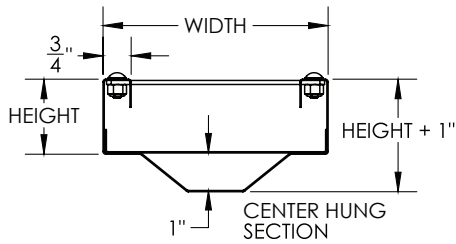
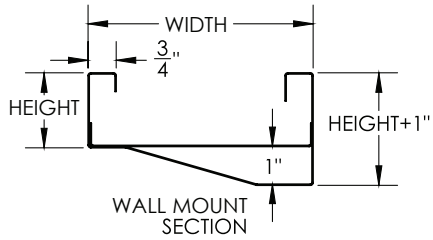


Cable Tray/Race Tray RTX-HT-XXC-XXW-PX

RaceTray™ Fittings

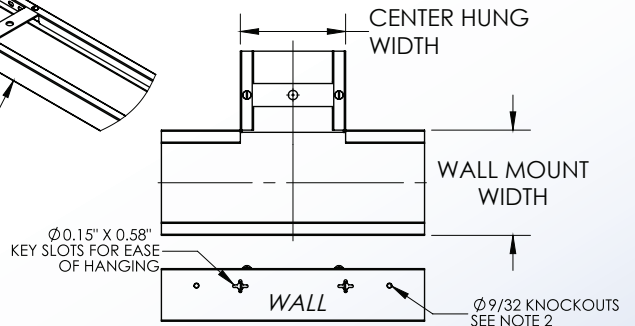
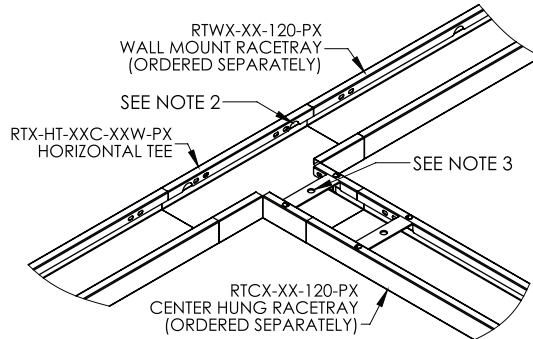
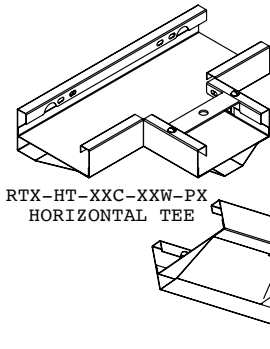
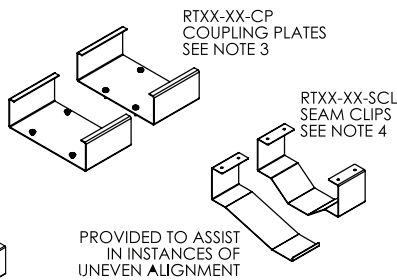
HORIZONTAL TEE, WALL MOUNT TO CENTER HUNG



Notes:

For connecting wall mounted RaceTray to center hung racetray of the same height

- 1.) Racetray material: 22GA G60 steel.
- 2.) Mount tray by installing #6 drywall screws level into solid support to align with key slots. Remove desired 9/32" knockouts located on mounting face of base. Align key slots in racetray with drywall screws and position tray into place. Install 1/4" hardware thru 9/32" holes of removed knockouts or field drill larger holes and mount as required.
- 3.) Connect fitting to existing racetray by using RTWX-XX-CP & RTCX-XX-CP couplings (1 of each provided per tee). Attach RT-669-BRAID grounding straps (ordered separately).
- 4.) Install RTWX-XX-SCL & RTCX-XX-SCL seam clips (1 of each provided per tray section) centered about the race tray seams, be sure the clip straps are flush with the tray and the 1/4" flange of the wall mounted is tucked between the tray and wall. Install supplied #8-32x1/2 tek screws thru upper pilot holes into top flange of tray. Apply epoxy to face of wall mounted clip which makes contact with bottom of tray and press together tightly, hold in place with tape (by others) until epoxy has cured.
- 5.) Other color & finish options available speak with monosystems to choose.
- 6.) Views for reference - do not scale.



ORDERING DATA EXAMPLE:

RT X-HT-XX C-XX W-PX

HEIGHT

2 = 2" HIGH
3 = 3" HIGH
4 = 4" HIGH

CENTER HUNG WIDTH

6 = 6" WIDE
9 = 9" WIDE
12 = 12" WIDE
18 = 18" WIDE
24 = 24" WIDE

WALL MOUNT WIDTH

6 = 6" WIDE
9 = 9" WIDE
12 = 12" WIDE

COLOR

W = WHITE
B = BLACK

Niedax MonoSystems, Inc.
180 Hopkins Street
Buffalo, NY 14220
1 888.764.7681
Phone: 914.934.2075
Fax: 914.934.2190
MonoSystems.com

