

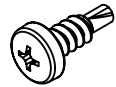
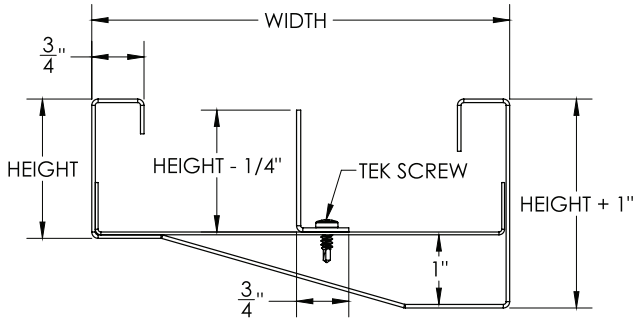
Cable Tray / RaceTray / Wall Mounted RTX-DIV-120

RaceTray™ Accessories

STRAIGHT DIVIDER

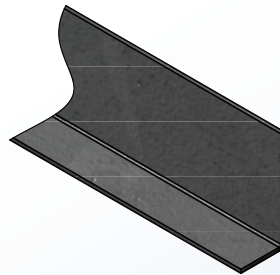
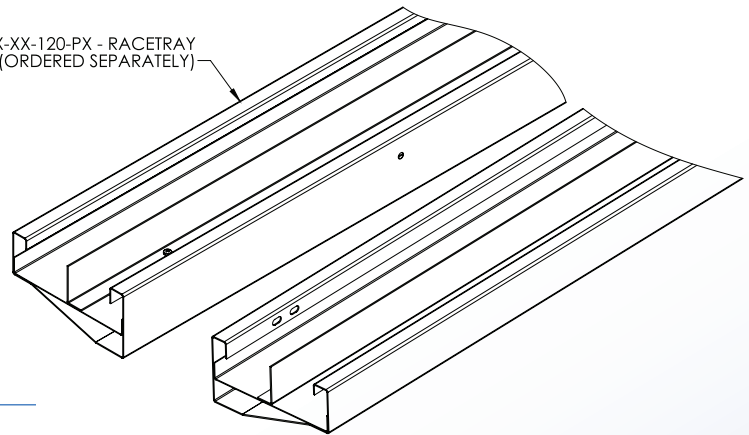
Notes

- 1.) Ordered as each. Supplied in 10ft sections. Use to create multiple compartments in trough tray.
- 2.) Install using supplied tek screws. Attachment by others.
- 3.) Views for reference - do not scale.



TEK SCREWS
(PROVIDED)

RTX-XX-120-PX - RACETRAY
(ORDERED SEPARATELY)



ORDERING DATA EXAMPLE:

RTX-DIV-120

HEIGHT

- 2 = 2" HIGH
- 3 = 3" HIGH
- 4 = 4" HIGH

Niedax MonoSystems, Inc.
180 Hopkins Street
Buffalo, NY 14220
1 888.764.7681
Phone: 914.934.2075
Fax: 914.934.2190
MonoSystems.com

