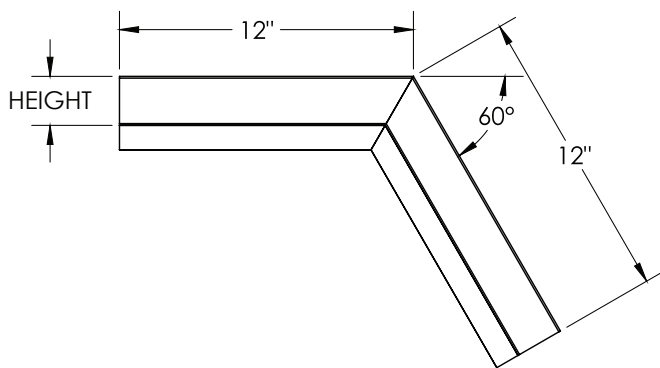
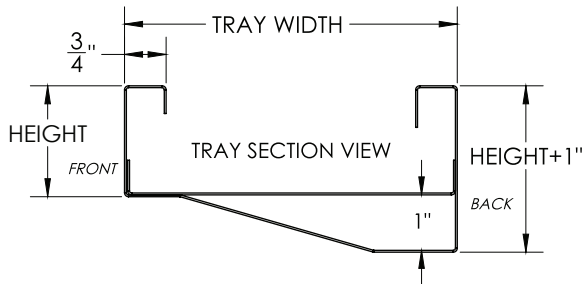


Cable Tray/RaceTray/Wall Mounted RTWX-XX-XV60-PX

RaceTray™ Fittings

60° VERTICAL BEND, FOR STEEL WALL MOUNT RACETRAY



Notes:

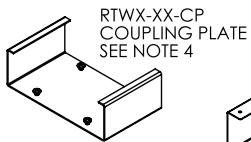
- 1.) For connecting two sections of RaceTray at 60°.
- 2.) RaceTray material: 22GA G60 steel.
- 3.) Mount tray by installing #6 drywall screws level into solid support to align with key slots. Remove desired $\varnothing 9/32$ " knockouts located on mounting face of base. Align keyslots in racetray with drywall screws and position tray into place. Install $1/4$ " hardware thru $9/32$ " holes of removed knockouts or field drill larger holes and mount as required.
- 4.) Connect fitting to existing racetray by using RTWX-XX-CP couplings (1-Provided per elbow). Attach RT-669-Braid grounding straps. (ordered separately).
- 5.) Install RTWX-XX-SCL seam clip (1-provided per tray section) centered about the race tray seam, be sure the clip strap is flush with the tray and the $1/4$ " flange is tucked between the tray and wall. Install supplied #8-32x1/2 tek screws thru 2X pilot holes into top flange of tray. Apply epoxy to face of clip which makes contact with bottom of tray and press together tightly, hold in place with tape (by others) until epoxy has cured.
- 6.) Other color & finish options available speak with MonoSystems to choose.
- 7.) Views for reference - do not scale.



ORDERING DATA EXAMPLE:

RTWX-XX-XV60-PX

HEIGHT	WIDTH	BEND TYPE	COLOR
2 = 2" HIGH	6 = 6" WIDE	I = INSIDE BEND	W = WHITE
3 = 3" HIGH	9 = 9" WIDE	O = OUTSIDE BEND	B = BLACK
4 = 4" HIGH	12 = 12" WIDE		

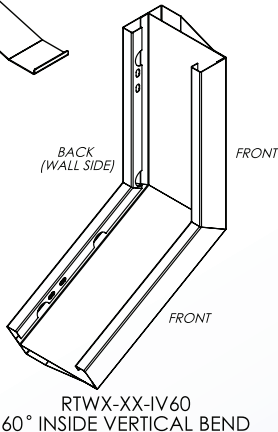


RTWX-XX-CP
COUPLING PLATE
SEE NOTE 4

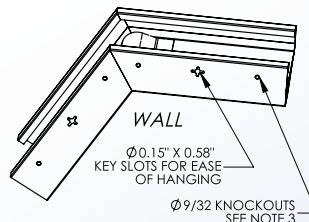


RTWX-XX-SCL
SEAM CLIP
SEE NOTE 5

PROVIDED TO ASSIST
IN INSTANCES OF
UNEVEN ALIGNMENT

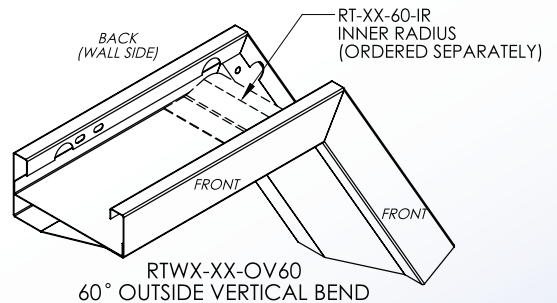


RTWX-XX-IV60
60° INSIDE VERTICAL BEND



WALL
 $\varnothing 0.15$ " X 0.58 "
KEY SLOTS FOR EASE
OF HANGING

$\varnothing 9/32$ KNOCKOUTS
SEE NOTE 3



RTWX-XX-OV60
60° OUTSIDE VERTICAL BEND

Niedax MonoSystems, Inc.
180 Hopkins Street
Buffalo, NY 14220
1 888.764.7681
Phone: 914.934.2075
Fax: 914.934.2190
MonoSystems.com

