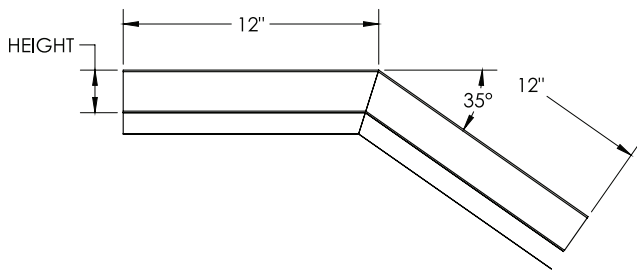
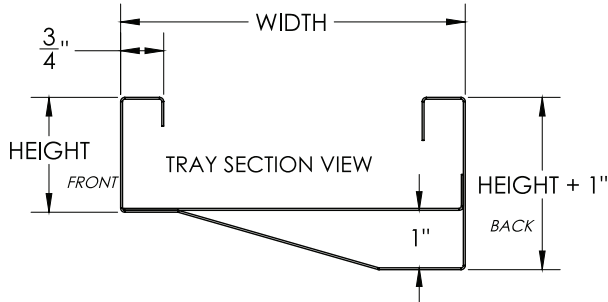


Cable Tray/RaceTray/Wall Mounted RTWX-XX-XV35-PX

RaceTray™ Fittings

35° VERTICAL BEND



Notes

For steel Wall Mount RaceTray

- 1.) For connecting two vertical sections of RaceTray at 35°.
- 2.) Racetray Material: 22GA G60 Steel.
- 3.) Mount tray by removing $\varnothing 9/32"$ knockouts located on mounting face of base and installing $1/4"$ hardware or field drill larger holes and mount as required.
- 4.) Connect fitting to existing RaceTray by using RTWX-XX-CP couplings (1-provided per elbow). Attach RT-669-BRAID grounding straps (ordered separately).
- 5.) Install RTWX-XX-SCL seam clip (1-provided per tray section) centered about the RaceTray seam, be sure the clip strap is flush with the tray and the $1/4"$ flange is tucked between the tray and wall. Install supplied #8-32x1/2 tek screws thru 2x pilot holes into top flange of tray. Apply epoxy to face of clip which makes contact with bottom of tray and press together tightly, hold in place with tape (by others) until epoxy has cured.
- 6.) Other color & finish options available speak with MonoSystems to choose.
- 7.) Views for reference - do not scale.



ORDERING DATA EXAMPLE:

RTWX-XX-XV35-PX

HEIGHT

2 = 2" HIGH
3 = 3" HIGH
4 = 4" HIGH

WIDTH

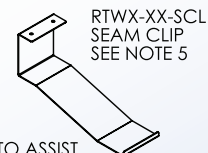
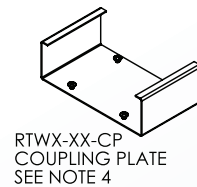
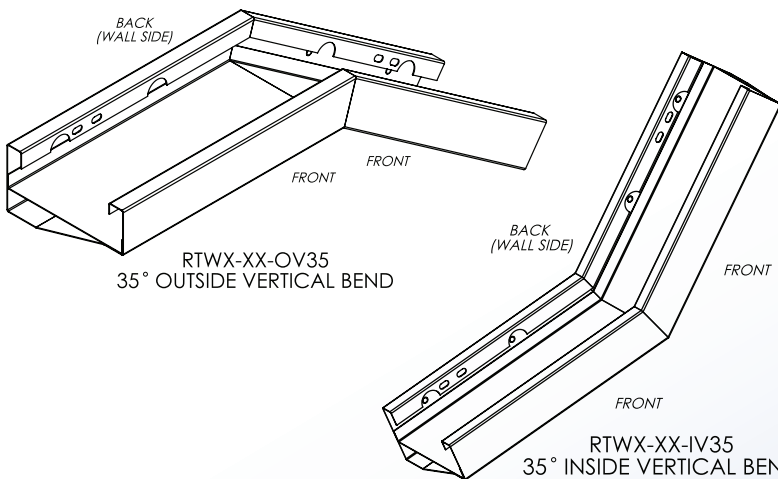
6 = 6" WIDE
9 = 9" WIDE
12 = 12" WIDE

BEND TYPE

1 = INSIDE BEND
0 = OUTSIDE BEND

COLOR

W = WHITE
B = BLACK



PROVIDED TO ASSIST
IN INSTANCES OF
UNEVEN ALIGNMENT

Niedax MonoSystems, Inc.
180 Hopkins Street
Buffalo, NY 14220
1 888.764.7681
Phone: 914.934.2075
Fax: 914.934.2190
MonoSystems.com

