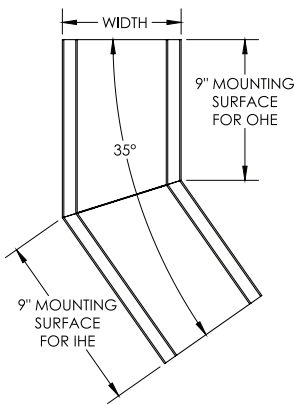
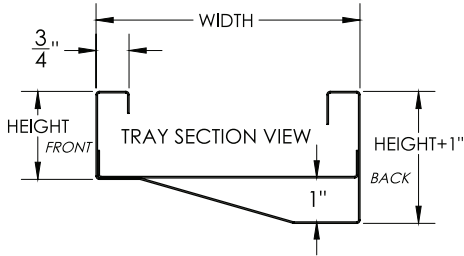


Cable Tray/RaceTray/Wall Mounted RTWX-XX-XHE35-PX

RaceTray™ Fittings

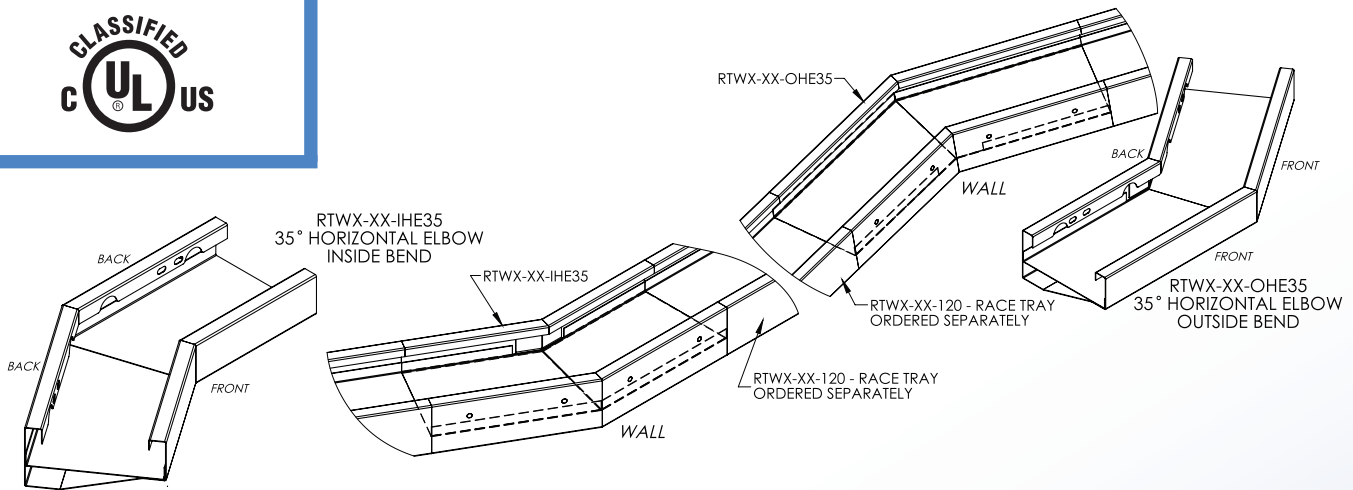
35° HORIZONTAL ELBOW, STEEL RACETRAY, WALL MOUNT



Notes

For Steel Wall Mount RaceTray

- 1.) For connecting two sections of RaceTray at 35°.
- 2.) RaceTray Material: 22GA G60 steel.
- 3.) Mount tray by removing $\varnothing 9/32$ " knockouts located on mounting face of base and installing 1/4" hardware or field drill larger holes and mount as required.
- 4.) Connect fitting to existing RaceTray by using RTWX-XX-CP couplings (1-provided per elbow). Attach RT-669-BRAID grounding straps (ordered separately).
- 5.) Other color & finish options available speak with MonoSystems to choose.
- 6.) Views for reference - do not scale.



ORDERING DATA EXAMPLE:

RTW X - XX - X HE35 - P X

HEIGHT

2 = 2" HIGH
3 = 3" HIGH
4 = 4" HIGH

WIDTH

6 = 6" WIDE
9 = 9" WIDE
12 = 12" WIDE

BEND TYPE

I = INSIDE BEND
O = OUTSIDE BEND

COLOR

W = WHITE
B = BLACK

Niedax MonoSystems, Inc.
180 Hopkins Street
Buffalo, NY 14220
1 888.764.7681
Phone: 914.934.2075
Fax: 914.934.2190
MonoSystems.com

