

# Cable Tray/RaceTray/Wall Mounted RTWX-XX-SCL-PX

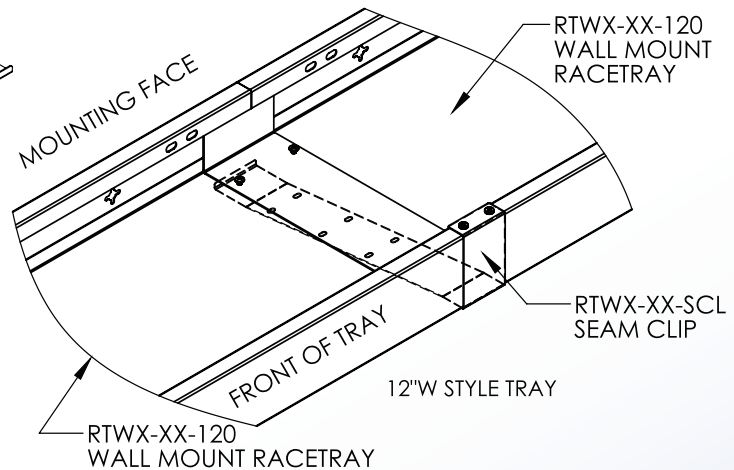
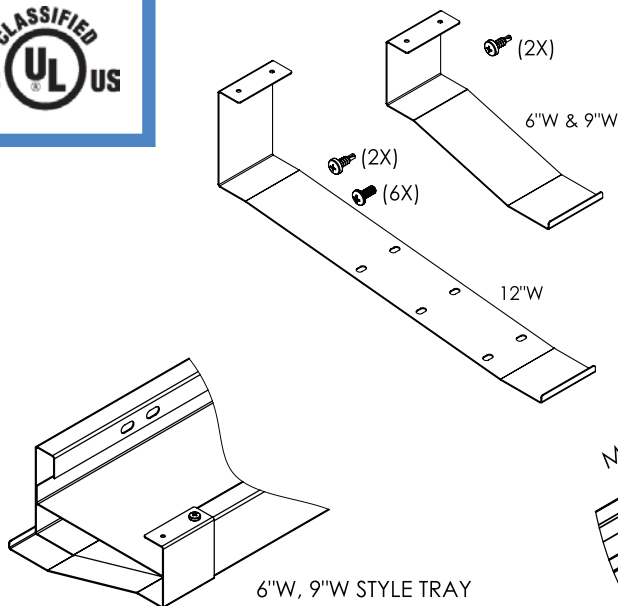
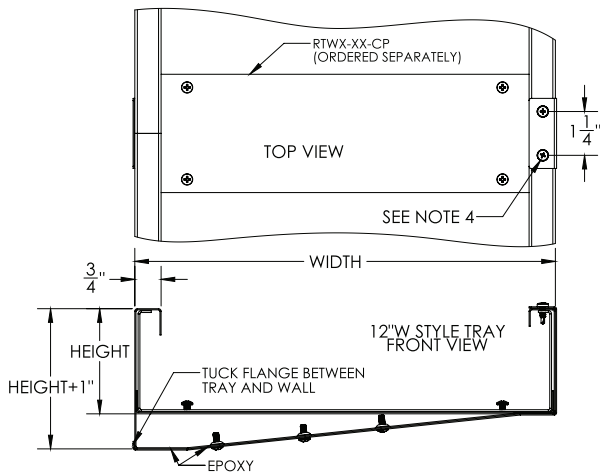
## RaceTray™ Accessories

### SEAM CLIP STEEL RACETRAY, WALL MOUNTED

#### Notes:

Provided to assist in instances of uneven alignment.

- 1.) Material: 22GA G60 steel.
- 2.) 1-Clip included with each section of tray ordered.
- 3.) Be sure existing RaceTray sections are already securely connected using 2X RTWX-XX-CP couplings and grounding straps (RT-669-braid) each sold separately. Tray should be already wall mounted and level using smooth face fasteners (by others).
- 4.) Install RTWX-XX-SCL seam clip centered about the RaceTray seam, be sure the clip strap is flush with the tray with the 1/4" flange tucked between the tray and wall. Install supplied #8-32x1/2 tek screws thru 2x pilot holes into top flange of tray. For 12" w style: install provided #8-32 pan head screws thru slots in bottom wrap-around portion of seam clip and thread into tapped holes in tray until snug. Apply epoxy to face of clip which makes contact with bottom of tray and press together tightly, hold in place with tape (by others) until epoxy has cured.
- 5.) Other color & finish options available speak with MonoSystems to choose.
- 6.) Views for reference - do not scale.



#### ORDERING DATA EXAMPLE:

## RTWX-XX-SCL-PX

#### HEIGHT

2 = 2" HIGH  
3 = 3" HIGH  
4 = 4" HIGH

#### WIDTH

06 = 6" WIDE  
09 = 9" WIDE  
12 = 12" WIDE

#### COLOR

W = WHITE  
B = BLACK

Niedax MonoSystems, Inc.  
180 Hopkins Street  
Buffalo, NY 14220  
1 888.764.7681  
Phone: 914.934.2075  
Fax: 914.934.2190  
MonoSystems.com

