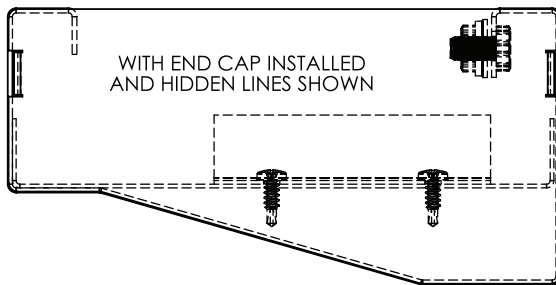
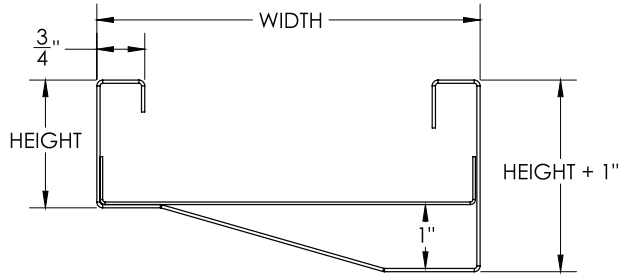


Cable Tray / RaceTray / Wall Mounted RTWX-XX-BE-LH/RH-PX

RaceTray™ Accessories

BLIND END CAPS, STEEL RACEWAY, WALL MOUNT



Notes

For wall mount RaceTray -LH denotes left end, -RH denotes right end

1.) To install, insert blind end into end of race tray such that the center flange rests on the race tray "floor" and the blind end cap is brought flush with the end of the tray. Install (2) #8-32 tek screws to hold in place.

2.) Views for reference - do not scale.



ORDERING DATA EXAMPLE:

RTWX-XX-BE-LH/RH-PX

HEIGHT

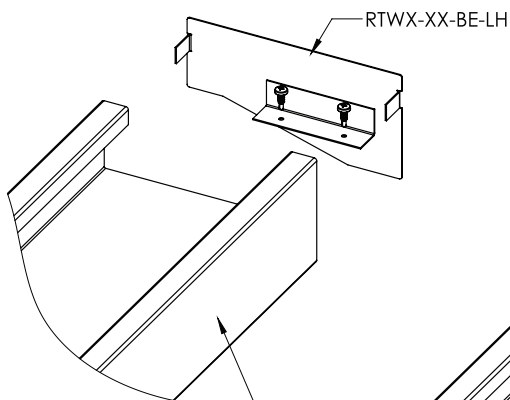
- 2 = 2" HIGH
- 3 = 3" HIGH
- 4 = 4" HIGH

WIDTH

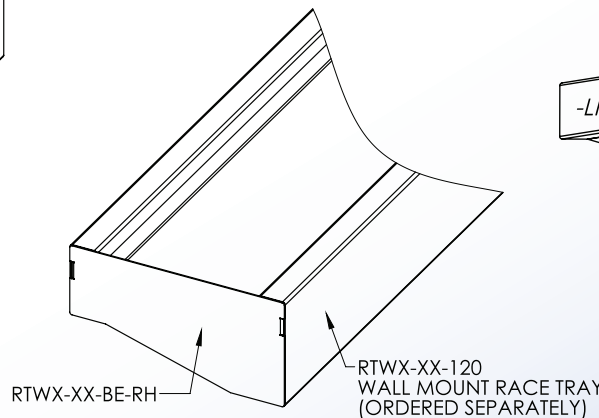
- 6 = 6" WIDE
- 9 = 9" WIDE
- 12 = 12" WIDE

COLOR

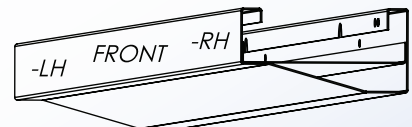
- W = WHITE
- B = BLACK



RTWX-XX-120
WALL MOUNT RACE TRAY
(ORDERED SEPARATELY)



RTWX-XX-120
WALL MOUNT RACE TRAY
(ORDERED SEPARATELY)



Niedax MonoSystems, Inc.
180 Hopkins Street
Buffalo, NY 14220
1 888.764.7681
Phone: 914.934.2075
Fax: 914.934.2190
MonoSystems.com

