

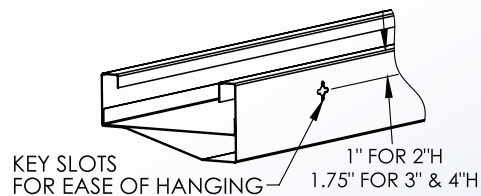
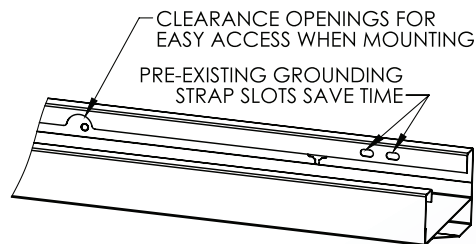
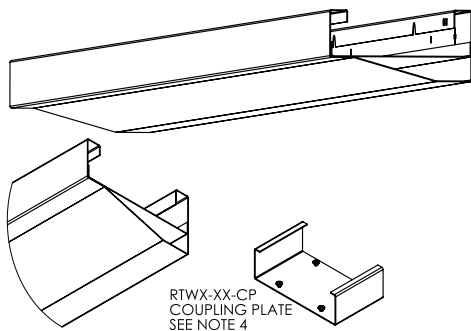
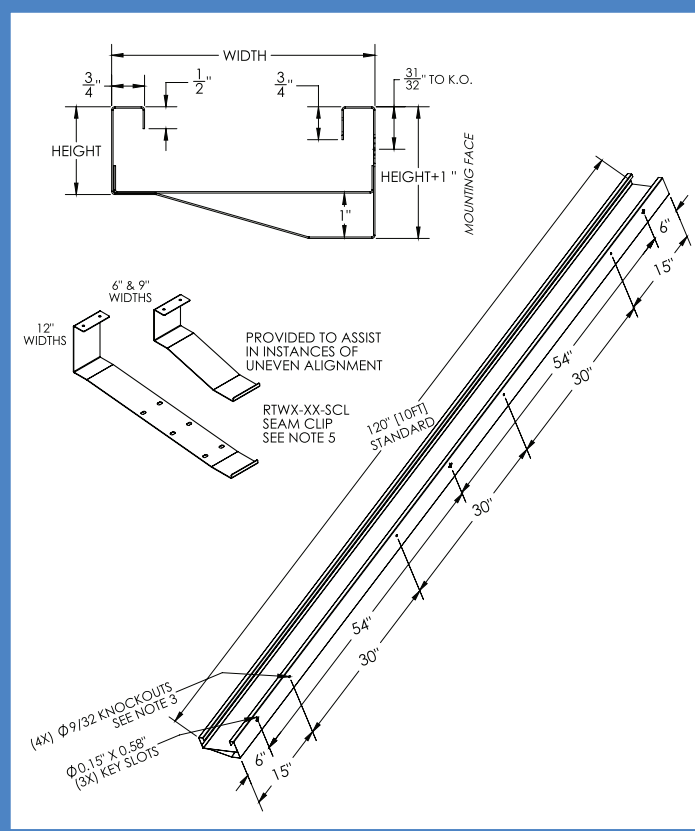
Cable Tray/RaceTray/Wall Mounted RTWX-XX-120-PX

RaceTray™

STEEL RACETRAY, WALL MOUNT

Notes:

- 1.) Patented.
- 2.) Racetray material: 22GA G60 steel.
- 3.) Mount tray by installing #6 drywall screws level into solid support 54" apart. Remove desired 9/32" knockouts located on mounting face of base. Align keyslots in RaceTray with drywall screws and position tray into place. Install 1/4" hardware thru 9/32" holes of removed knockouts or field drill larger holes and mount as required.
- 4.) Connect tray to existing RaceTray by using RTWX-XX-CP couplings (1-provided per tray section). Attach RT-669-braid grounding straps (ordered separately).
- 5.) Install RTWX-XX-SCL seam clip (1-provided per tray section) centered about the RaceTray seam, be sure the clip strap is flush with the tray with the 1/4" flange tucked between the tray and wall. Install supplied #8-32x1/2 tek screws thru 2x pilot holes into top flange of tray. For 12" w style: install provided #8-32 pan head screws thru slots in bottom wrap-around portion of seam clip and thread into tapped holes in tray until snug. Apply epoxy to face of clip which makes contact with bottom of tray and press together tightly, hold in place with tape (by others) until epoxy has cured.
- 6.) Other color & finish options available speak with MonoSystems to choose.
- 7.) Views for reference - do not scale.



ORDERING DATA EXAMPLE:

RTW-X-XX-120-PX

HEIGHT
2 = 2" HIGH
3 = 3" HIGH
4 = 4" HIGH

WIDTH
06 = 6" WIDE
09 = 9" WIDE
12 = 12" WIDE

COLOR
W = WHITE
B = BLACK

Niedax MonoSystems, Inc.
180 Hopkins Street
Buffalo, NY 14220
1 888.764.7681
Phone: 914.934.2075
Fax: 914.934.2190
MonoSystems.com

