

# Cable Tray / RaceTray / Wall Mounted RTW-COV-XX-XX-PX

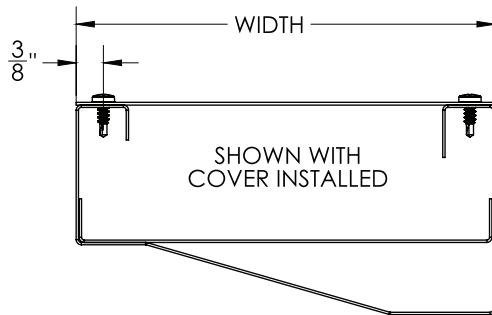
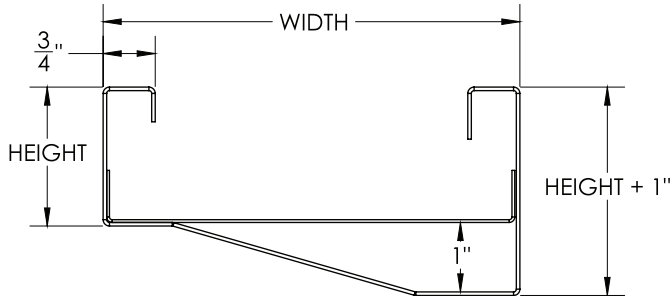
## RaceTray™ Accessories

### COVER

#### Notes

For steel wall mounted style RaceTray

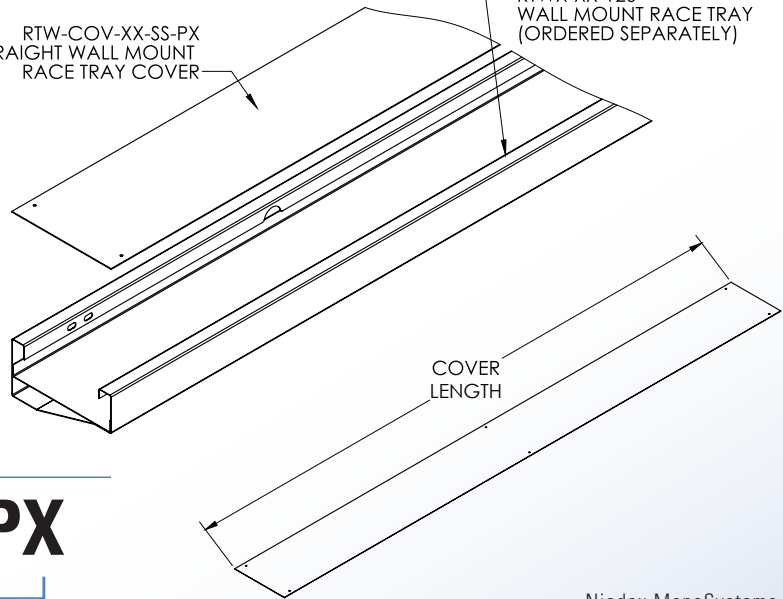
- 1.) Cover length as specified.
- 2.) Material: 22ga g60 steel.
- 3.) Each 120" cover provided with (10) #8-32 self drilling TEK screws each 60" cover provided with (6) #8-32 self drilling TEK screws for mounting. Recommended attachment locations: 3/8" from edges width wise & 1" from end length wise.
- 4.) Views for reference - do not scale.



TEK SCREWS  
(PROVIDED)

RTW-COV-XX-SS-PX  
STRAIGHT WALL MOUNT  
RACE TRAY COVER

RTWX-XX-120  
WALL MOUNT RACE TRAY  
(ORDERED SEPARATELY)



#### ORDERING DATA EXAMPLE:

## RTW-COV-XX-XX-PX

WIDTH

LENGTH

COLOR

6 = 6" WIDE  
9 = 9" WIDE  
12 = 12" WIDE

60 = 5' LONG  
120 = 10' LONG

W = WHITE  
B = BLACK

Niedax MonoSystems, Inc.  
180 Hopkins Street  
Buffalo, NY 14220  
1 888.764.7681  
Phone: 914.934.2075  
Fax: 914.934.2190  
MonoSystems.com

