

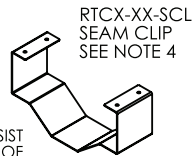
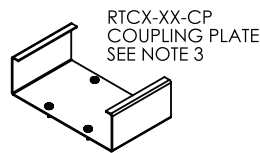
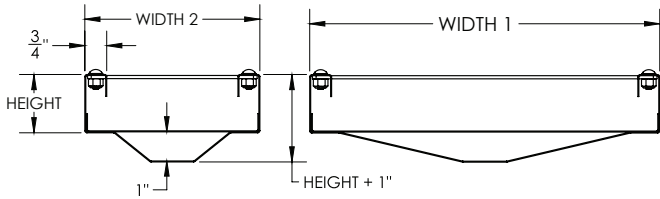
Cable Tray/RaceTray/Wall Mounted RTCX-XXXX-RHT-PX

RaceTray™ Fittings

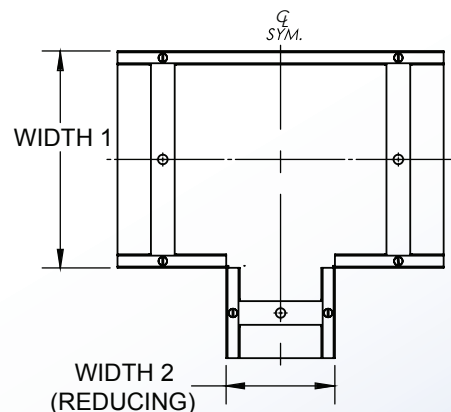
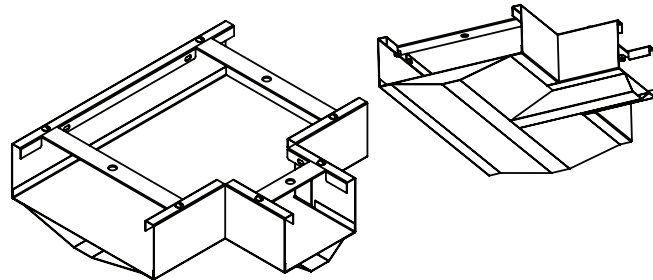
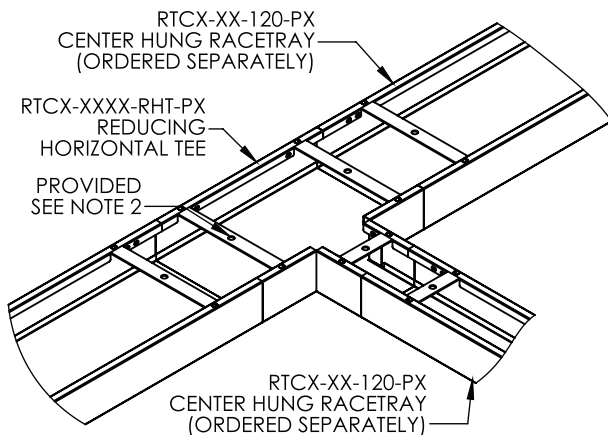
REDUCING HORIZONTAL TEE FOR STEEL CENTER HUNG RACETRAY

Notes:

- 1.) RaceTray material: G60 STEEL.
- 2.) Mount tray using a box beam or threaded rod (by others) attach to pre-mounted support bars as shown.
- 3.) Connect fitting to existing RaceTray by using RTCX-XX-CP couplings (2-provided per tee). Attach RT-669-BRAID grounding straps (ordered separately).
- 4.) Install RTCX-XX-SCL seam clips (2-provided per tee) centered about the RaceTray fitting seams, be sure the clip strap is tight. Install supplied #8 -32 x 1/2 tek screws thru 4X pilot holes into top flange of tray.
- 5.) Other color & finish options available speak with MonoSystems to choose.
- 6.) Views for reference - do not scale.



PROVIDED TO ASSIST
IN INSTANCES OF
UNEVEN ALIGNMENT



ORDERING DATA EXAMPLE:

RTCX-XX-XX-RHT-PX

HEIGHT

2 = 2" HIGH
3 = 3" HIGH
4 = 4" HIGH

WIDTH 1

9 = 9" WIDE
12 = 12" WIDE
18 = 18" WIDE
24 = 24" WIDE

WIDTH 2

6 = 6" WIDE
9 = 9" WIDE
12 = 12" WIDE
18 = 18" WIDE

COLOR

W = WHITE
B = BLACK

Niedax MonoSystems, Inc.
180 Hopkins Street
Buffalo, NY 14220
1 888.764.7681
Phone: 914.934.2075
Fax: 914.934.2190
MonoSystems.com

