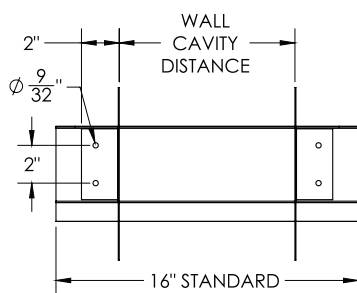
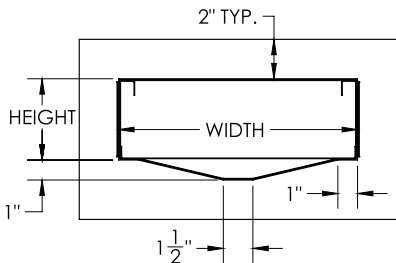


Cable Tray/RaceTray/Center Hung RTCX-XX-WPS-PX

RaceTray™ Fittings

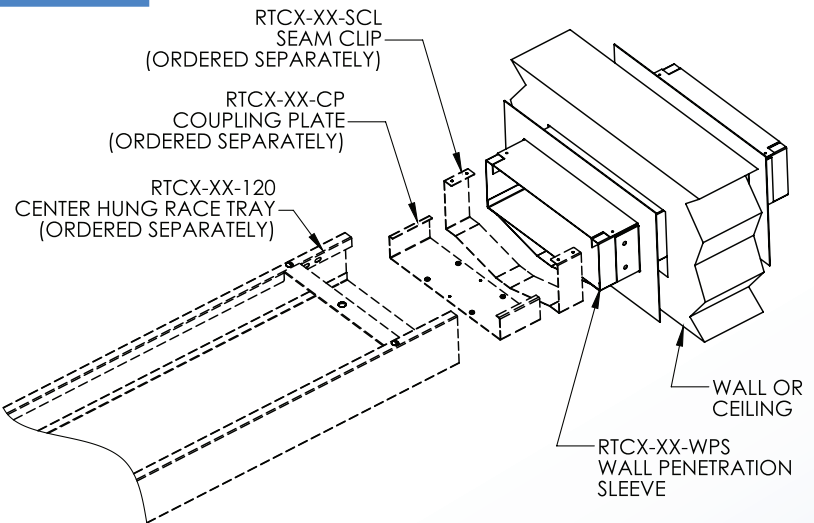
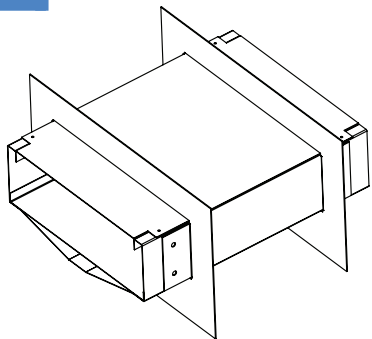
WALL PENETRATION SLEEVE STEEL RACETRAY, CENTER HUNG



Notes:

For use when passing thru a wall or ceiling.

- 1.) Sleeve material: 22GA Galv. steel. Trim plates: 18GA Galv. steel
- 2.) Sold as each. Each wall penetration sleeve includes (1) 16" long sleeve, (1) cover, and (2) trim plates.
- 3.) Coupling plates, seam clips, and mounting hardware (ordered separately).
- 4.) Other color & finish options available speak with MonoSystems to choose.
- 5.) Views for reference - do not scale.



ORDERING DATA EXAMPLE:

RTC-X-XX-WPS-PX

HEIGHT
2 = 2" HIGH
3 = 3" HIGH
4 = 4" HIGH

WIDTH
06 = 6" WIDE
09 = 9" WIDE
12 = 12" WIDE
18 = 18" WIDE
24 = 24" WIDE

COLOR
W = WHITE
B = BLACK

Niedax MonoSystems, Inc.
180 Hopkins Street
Buffalo, NY 14220
1 888.764.7681
Phone: 914.934.2075
Fax: 914.934.2190
MonoSystems.com

