

Cable Tray/RaceTray/Center Hung RTCX-XX-SCL-PX

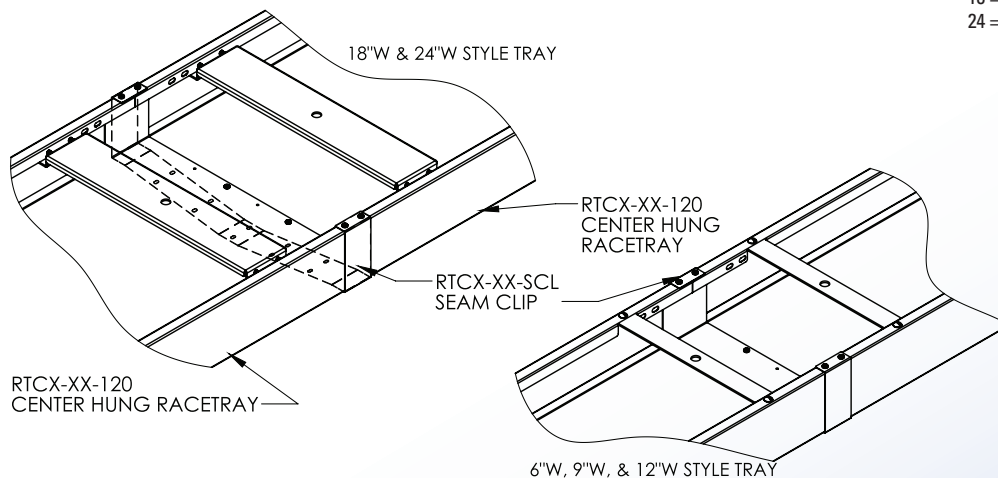
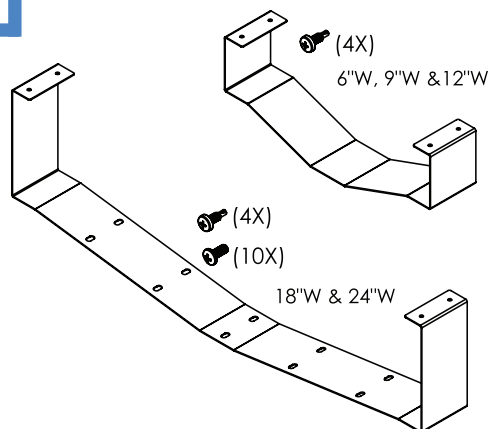
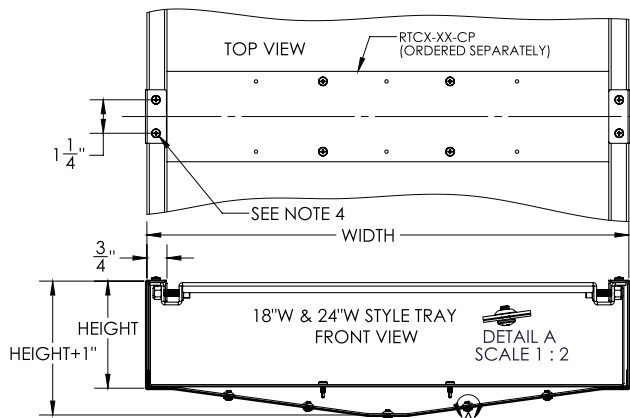
RaceTray™ Accessories

SEAM CLIP STEEL RACETRAY, CENTER HUNG

Notes:

Provided to assist in instances of uneven alignment.

- 1.) Material: 22GA G60 steel.
- 2.) 1-Clip included with each section of tray ordered.
- 3.) Be sure existing racetray sections are already securely connected using 2X RTCX-XX-CP couplings and grounding straps (RT-669-braid) each sold separately. Tray should be already mounted/hung and level using threaded rod or box beam (by others).
- 4.) Install RTCX-XX-SCL seam clip centered about the RaceTray seam, be sure the clip strap is tight. Install supplied #8-32x1/2 tek screws thru 4x pilot holes into top flange of tray. For 18" w and 24" w styles: install provided #8-32 pan head screws thru slots in bottom wrap-around portion of seam clip and thread into tapped holes in tray until snug.
- 5.) Other color & finish options available speak with MonoSystems to choose.
- 6.) Views for reference - do not scale.



ORDERING DATA EXAMPLE:

RTC-X-XX-SCL-PX

HEIGHT

2 = 2" HIGH
3 = 3" HIGH
4 = 4" HIGH

WIDTH

06 = 6" WIDE
09 = 9" WIDE
12 = 12" WIDE
18 = 18" WIDE
24 = 24" WIDE

COLOR

W = WHITE
B = BLACK

Niedax MonoSystems, Inc.
180 Hopkins Street
Buffalo, NY 14220
1 888.764.7681
Phone: 914.934.2075
Fax: 914.934.2190
MonoSystems.com

