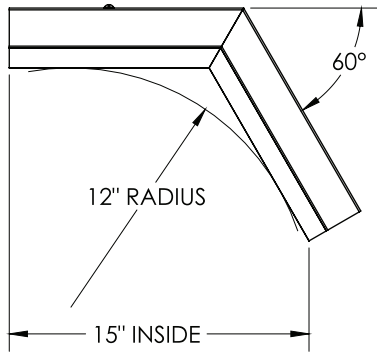
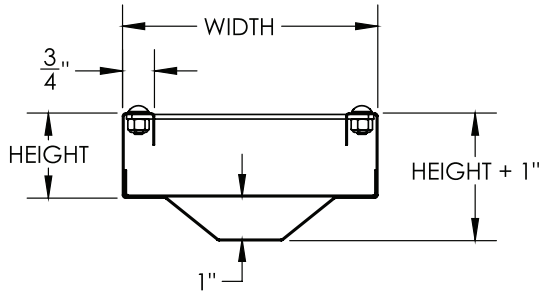


Cable Tray / RaceTray / Center Hung RTCX-XX-OV60-PX

RaceTray™ Fittings

60° OUTSIDE VERTICAL ELBOW



Notes

For Steel Center Hung RaceTray.

- 1.) For connecting two sections of Center Hung RaceTray at 60°.
- 2.) RaceTray material: G60 Steel.
- 3.) Mount tray using a box beam or threaded rod (by others) attach to pre-mounted support bar as shown.
- 4.) Connect fitting to existing RaceTray by using RTCX-XX-CP couplings (1-provided per elbow). Attach RT-669-BRAID grounding straps (ordered separately).
- 5.) Install RTCX-XX-SCL seam clip (1-provided per elbow) centered about the RaceTray fitting seams, be sure the clip strap is tight. Install supplied #8-32x1/2 tek screws thru 4x pilot holes into top flange of tray.
- 6.) Other color & finish options available speak with MonoSystems to choose.
- 7.) Views for reference - do not scale.



ORDERING DATA EXAMPLE:

RTCX-XX-OV60-PX

HEIGHT

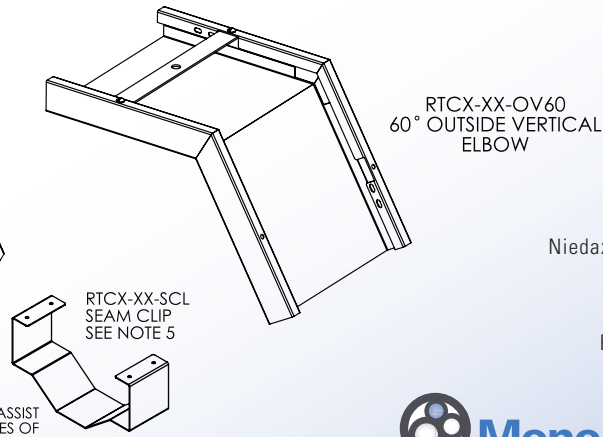
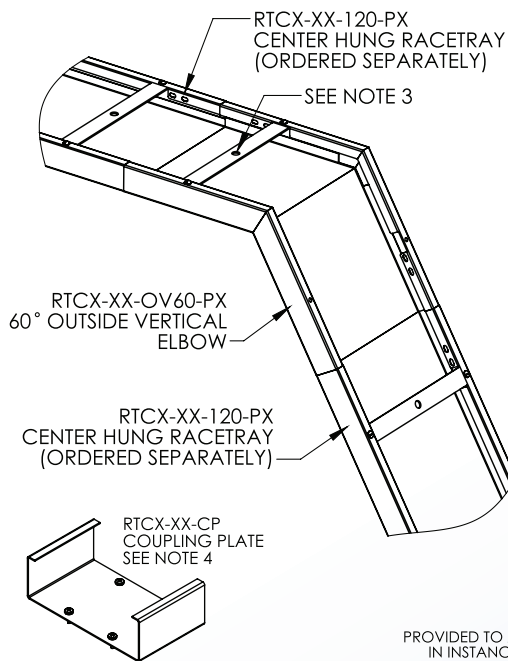
- 2 = 2" HIGH
- 3 = 3" HIGH
- 4 = 4" HIGH

WIDTH

- 6 = 6" WIDE
- 9 = 9" WIDE
- 12 = 12" WIDE
- 18 = 18" WIDE
- 24 = 24" WIDE

COLOR

- W = WHITE
- B = BLACK



PROVIDED TO ASSIST
IN INSTANCES OF
UNEVEN ALIGNMENT

Niedax MonoSystems, Inc.
180 Hopkins Street
Buffalo, NY 14220
1 888.764.7681
Phone: 914.934.2075
Fax: 914.934.2190
MonoSystems.com

