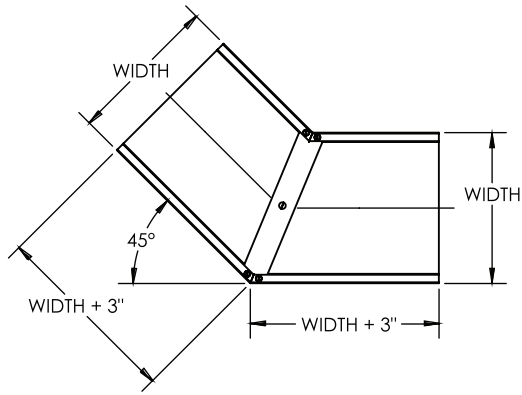
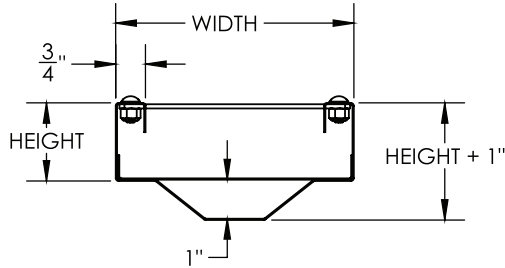


# Cable Tray / RaceTray / Center Hung RTCX-XX-HE45-PX

## RaceTray™ Fittings

### 45° HORIZONTAL ELBOW



#### Notes

For Steel Center Hung RaceTray.

- 1.) For connecting two sections of Center Hung RaceTray at 45°.
- 2.) RaceTray material: G60 Steel.
- 3.) Mount tray using a box beam or threaded rod (by others) attach to pre-mounted support bar as shown.
- 4.) Connect fitting to existing RaceTray by using RTCX-XX-CP couplings (1-provided per elbow). Attach RT-669-BRAID grounding straps (ordered separately).
- 5.) Install RTCX-XX-SCL seam clip (1-provided per elbow) centered about the RaceTray fitting seams, be sure the clip strap is tight. Install supplied #8-32x1/2 tek screws thru 4x pilot holes into top flange of tray.
- 6.) Optional radius corner insert (RTX-45IR) is available and sold separately.
- 7.) Other color & finish options available speak with MonoSystems to choose.
- 8.) Views for reference - do not scale.



#### ORDERING DATA EXAMPLE:

# RTCX-XX-HE45-PX

#### HEIGHT

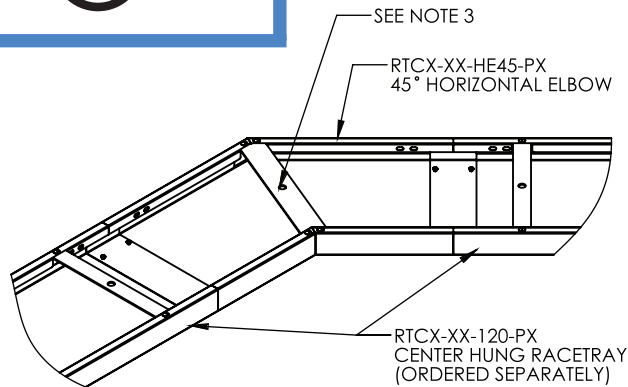
2 = 2" HIGH  
3 = 3" HIGH  
4 = 4" HIGH

#### WIDTH

6 = 6" WIDE  
9 = 9" WIDE  
12 = 12" WIDE  
18 = 18" WIDE  
24 = 24" WIDE

#### COLOR

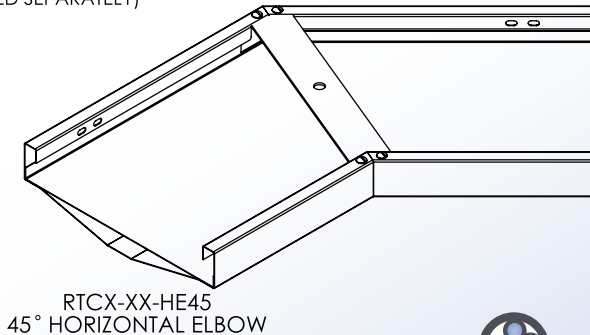
W = WHITE  
B = BLACK



RTCX-XX-CP  
COUPLING PLATE  
SEE NOTE 4

PROVIDED TO ASSIST  
IN INSTANCES OF  
UNEVEN ALIGNMENT

RTCX-XX-SCL  
SEAM CLIP  
SEE NOTE 5



RTCX-XX-HE45  
45° HORIZONTAL ELBOW

Niedax MonoSystems, Inc.  
180 Hopkins Street  
Buffalo, NY 14220  
1 888.764.7681  
Phone: 914.934.2075  
Fax: 914.934.2190  
MonoSystems.com

