

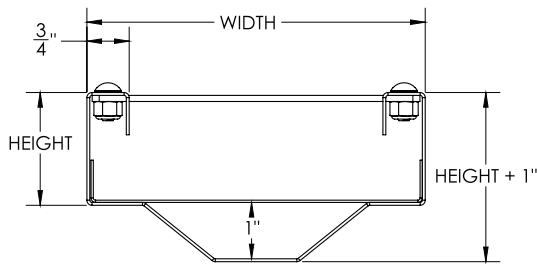
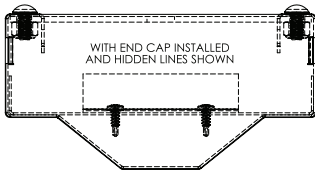
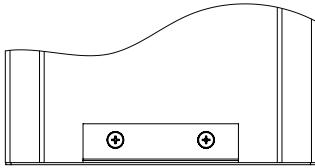
Cable Tray / RaceTray / Center Hung RTCX-XX-BE-PX

RaceTray™ Accessories

BLIND END CAPS

Notes

- 1.) To install, insert blind end into end of RaceTray such that the center flange rests on the race tray "floor" and the blind end cap is brought flush with the end of the tray. Install (2) #8-32 tek screws to hold in place.
- 2.) Views for reference - do not scale.



ORDERING DATA EXAMPLE:

RTCX-XX-BE-PX

HEIGHT

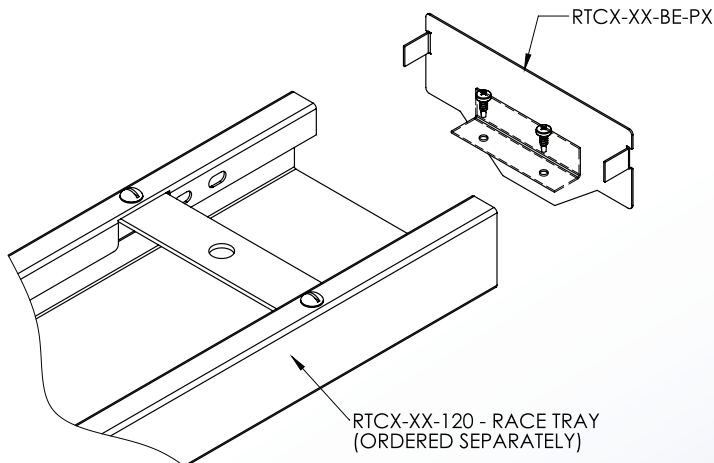
2 = 2" HIGH
3 = 3" HIGH
4 = 4" HIGH

WIDTH

6 = 6" WIDE
9 = 9" WIDE
12 = 12" WIDE
18 = 18" WIDE
24 = 24" WIDE

COLOR

W = WHITE
B = BLACK



Niedax MonoSystems, Inc.
180 Hopkins Street
Buffalo, NY 14220
1 888.764.7681
Phone: 914.934.2075
Fax: 914.934.2190
MonoSystems.com

