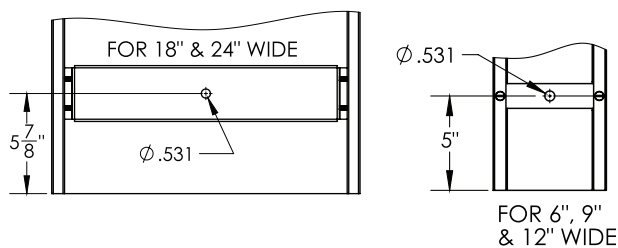
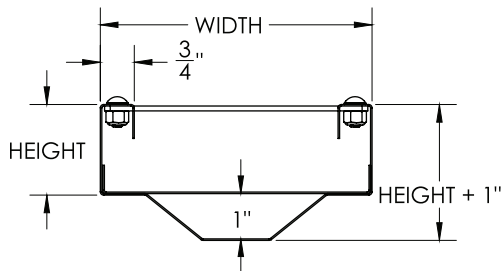


Cable Tray/RaceTray/Center Hung RTCX-XX-120-PX

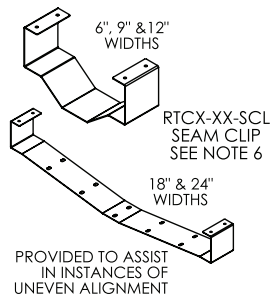
RaceTray™

STEEL RACETRAY, CENTER HUNG 120" (10FT) LONG



Notes:

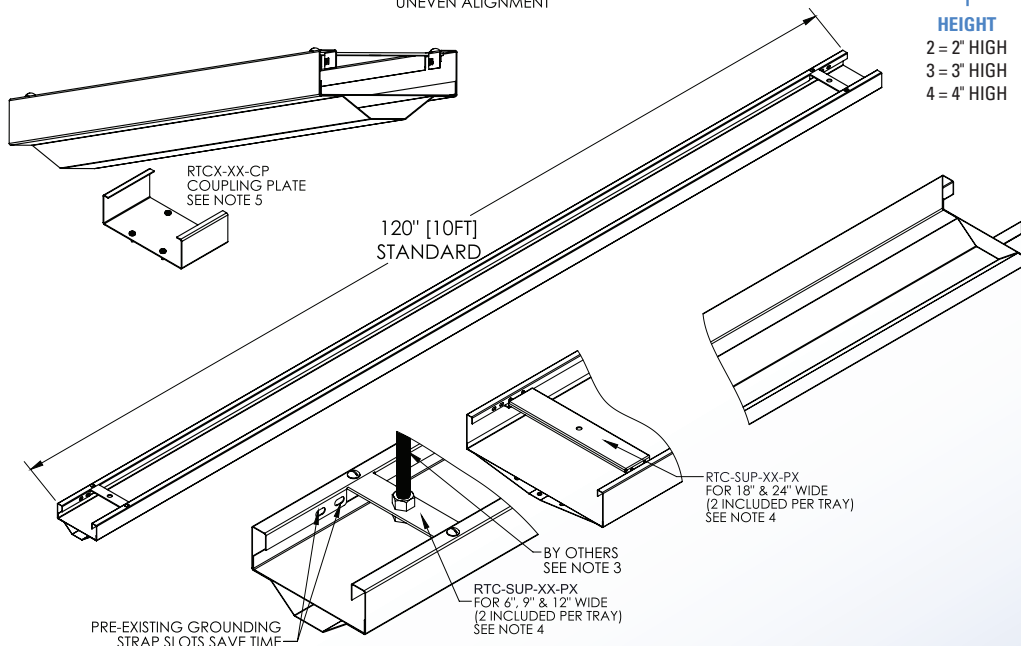
- 1.) Patented.
- 2.) RaceTray material: G60 steel.
- 3.) Mount tray using a box beam or threaded rod (by others) attach to pre-mounted support bar as shown.
- 4.) Two RTC-SUP-XX-PX support bars and hardware are included pre-mounted with each order of tray.
- 5.) Connect tray to existing RaceTray by using RTCX-XX-CP couplings (1-Provided per tray section). Attach RT-669-braid grounding straps (ordered separately).
- 6.) Install RTCX-XX-SCL seam clip (1-provided per tray section) centered about the RaceTray seam, be sure the clip strap is tight. Install supplied #8-32x1/2 tek screws thru 4x pilot holes into top flange of tray. For 18" w and 24" w styles: Install provided #8-32 pan head screws thru slots in bottom wrap-around portion of seam clip and thread into tapped holes in tray until snug.
- 7.) Other color & finish options available speak with MonoSystems to choose.
- 8.) Views for reference - do not scale.



ORDERING DATA EXAMPLE:

RTC-X-XX-120-PX

HEIGHT	WIDTH	COLOR
2 = 2" HIGH	06 = 6" WIDE	W = WHITE
3 = 3" HIGH	09 = 9" WIDE	B = BLACK
4 = 4" HIGH	12 = 12" WIDE	
	18 = 18" WIDE	
	24 = 24" WIDE	



Niedax MonoSystems, Inc.
180 Hopkins Street
Buffalo, NY 14220
1 888.764.7681
Phone: 914.934.2075
Fax: 914.934.2190
MonoSystems.com

