

Cable Tray / RaceTray / Center Hung RTC-COV-XX-XX-PX

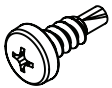
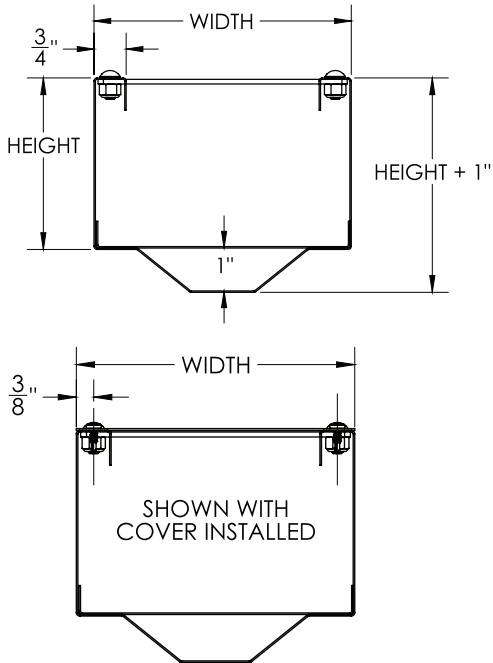
RaceTray™ Accessories

COVER

Notes

For steel center hung style RaceTray

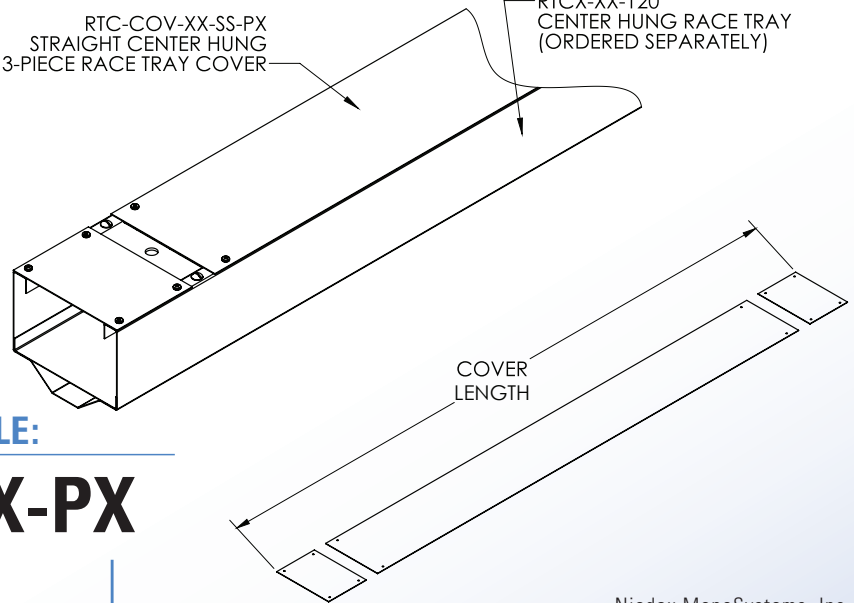
- 1.) Cover length as specified. Cover supplied as 3 pieces.
- 2.) Material: 22ga g60 steel.
- 3.) Each 120" cover provided with (16) #8-32 self drilling tek screws each 60" cover provided with (12) #8-32 self drilling tek screws for mounting. Recommended attachment locations: 3/8" from edges width wise & 1" from end length wise.
- 4.) Views for reference - do not scale.



TEK SCREWS
(PROVIDED)

RTC-COV-XX-SS-PX
STRAIGHT CENTER HUNG
3-PIECE RACE TRAY COVER

RTCX-XX-120
CENTER HUNG RACE TRAY
(ORDERED SEPARATELY)



ORDERING DATA EXAMPLE:

RTC-COV-XX-XX-PX

WIDTH

6 = 6" WIDE
9 = 9" WIDE
12 = 12" WIDE
18 = 18" WIDE
24 = 24" WIDE

LENGTH

60 = 5' LONG
120 = 10' LONG

COLOR

W = WHITE
B = BLACK

Niedax MonoSystems, Inc.
180 Hopkins Street
Buffalo, NY 14220
1 888.764.7681
Phone: 914.934.2075
Fax: 914.934.2190
MonoSystems.com

