

Cable Tray / RaceTray RT-XX-XXIR

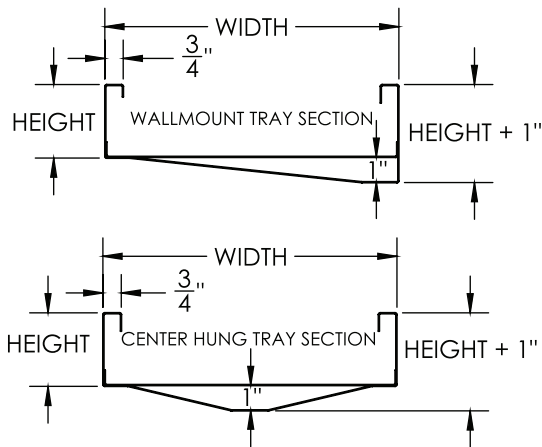
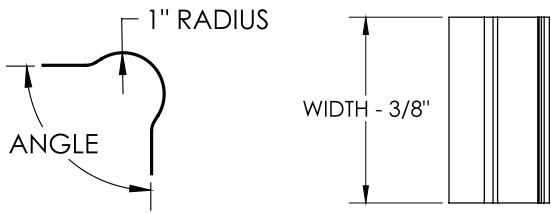
RaceTray™ Fittings

VERTICAL INSIDE RADIUS INSERTS

Notes

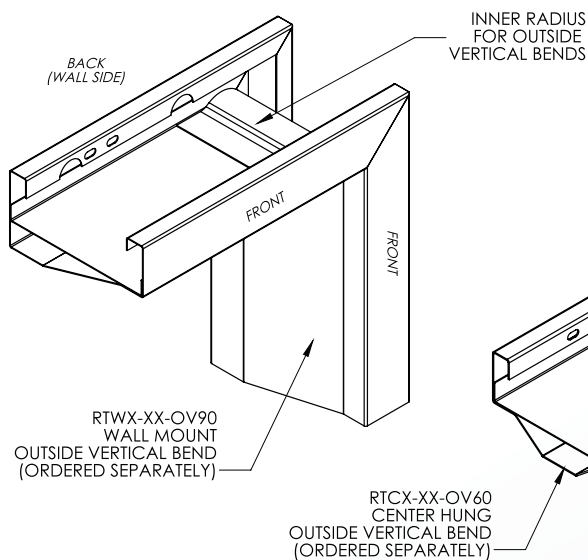
For steel RaceTray

- 1.) For radiusing a sharp edge.
- 2.) Each radius provided with fasteners for mounting.
- 3.) Views for reference - do not scale.



ORDERING DATA EXAMPLE:

RT-XX-XXIR



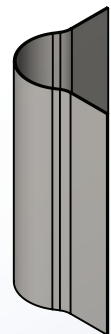
INNER RADIUS FOR OUTSIDE VERTICAL BENDS

6 = 6" WIDE
9 = 9" WIDE
12 = 12" WIDE
18 = 18" WIDE
24 = 24" WIDE

HEIGHT

ANGLE

90 = 90°
60 = 60°
45 = 45°



RTCX-XX-OV60 CENTER HUNG OUTSIDE VERTICAL BEND (ORDERED SEPARATELY)

Niedax MonoSystems, Inc.
180 Hopkins Street
Buffalo, NY 14220
1 888.764.7681
Phone: 914.934.2075
Fax: 914.934.2190
MonoSystems.com

