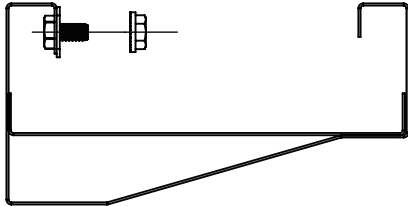


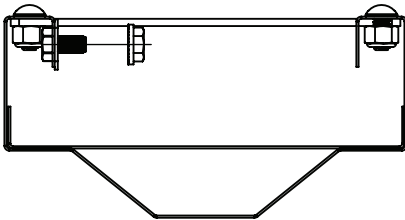
Cable Tray / RaceTray RT-669-BRAID

RaceTray™ Accessories

WALL MOUNT STYLE
EXPLODED VIEW
SEE NOTE 1

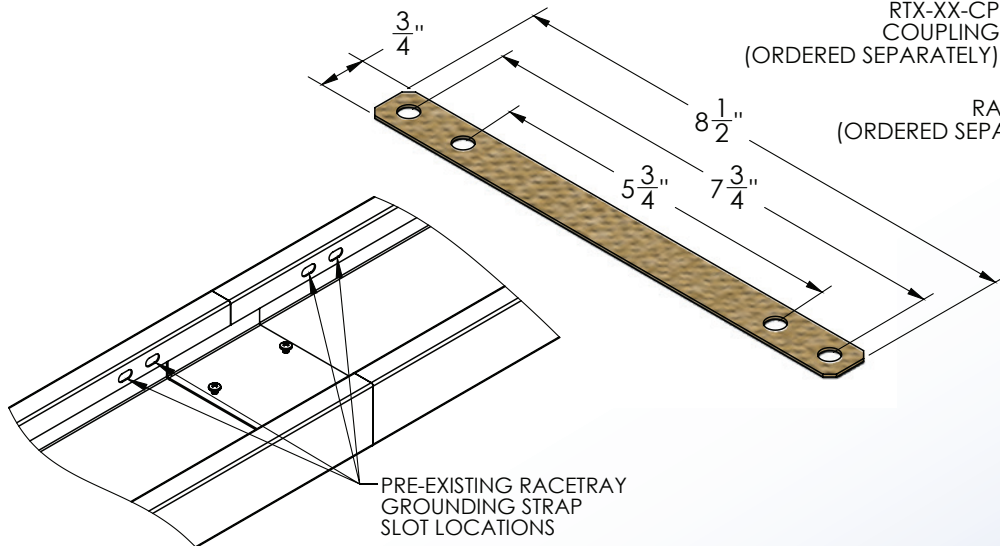
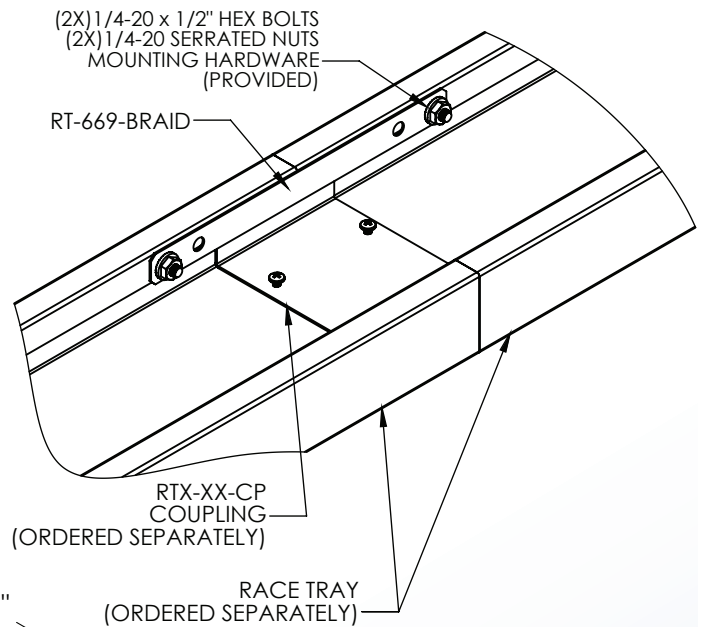


CENTER HUNG STYLE
EXPLODED VIEW
SEE NOTE 1



FLEXIBLE GROUNDING STRAP COUPLING

- 1.) To install, attach Braided grounding strap to the race tray 3/4" rear downward flange using (2) 1/4" hex head machine screws and washers as shown. To ensure proper grounding, remove all paint at strap to tray contact points.
- 2.) Recommended torque for 1/4" mounting hardware: 12ft-lbs [16.3NM].
- 3.) Grounding strap material: tinned copper. Braid rating: 85 amps, Braid AWG equiv. 7AWG.
- 4.) Views for reference, do not scale.



Niedax MonoSystems, Inc.
180 Hopkins Street
Buffalo, NY 14220
1 888.764.7681
Phone: 914.934.2075
Fax: 914.934.2190
MonoSystems.com

