

Cable Tray / Ladder Tray RR-XXXXXA

PowerTray™ Fittings

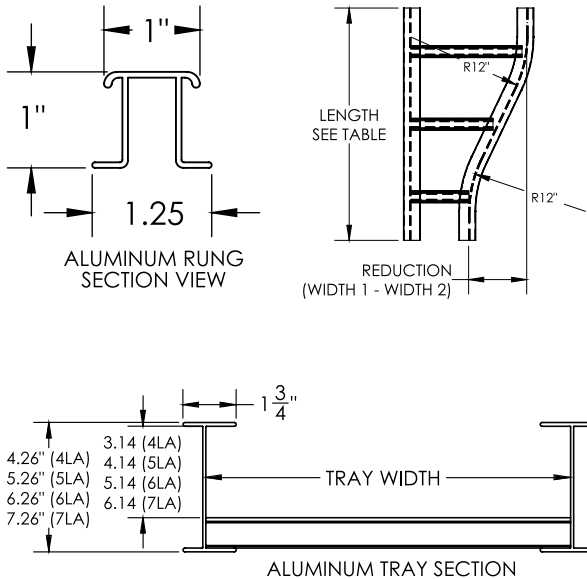
Manufactured in the USA by MonoSystems, Inc.



RIGHT SIDE REDUCERS

Notes

- 1.) One pair of splice connectors and included hardware are provided for each fitting. (m.s.i p/n: a4-2001, a5-2001, a6-2001, a7-2001).
- 2.) Views for reference - do not scale.

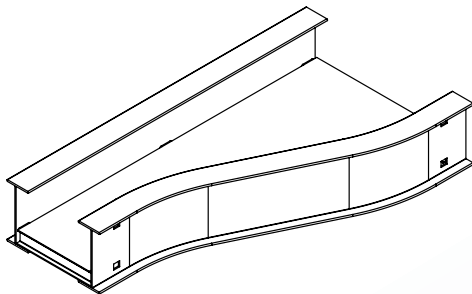


ORDERING DATA EXAMPLE:

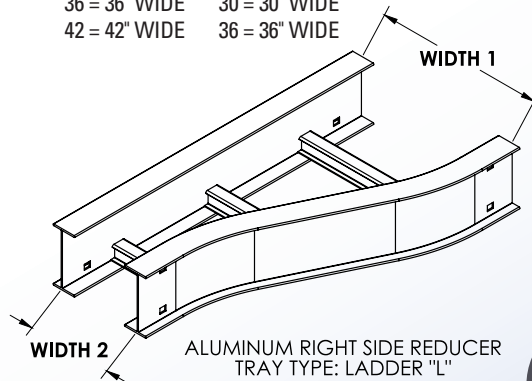
RR - W1 W2 X X A

REDUCTION	TOTAL LENGTH
3"	24"
6"	
9"	
12"	33"
18"	
24"	
36"	36"

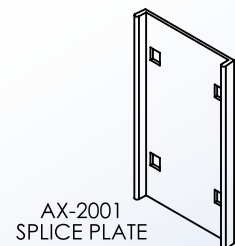
FITTING TYPE	WIDTH 1	WIDTH 2	HEIGHT	TRAY TYPE	TRAY MATERIAL
RR = RIGHT SIDE REDUCER	09 = 9" WIDE	06 = 6" WIDE	4 = 4" (3" DEPTH)	L = LADDER	A = ALUMINUM
	12 = 12" WIDE	09 = 9" WIDE	5 = 5" (4" DEPTH)	S = SOLID BOTTOM	
	18 = 18" WIDE	12 = 12" WIDE	6 = 6" (5" DEPTH)		
	24 = 24" WIDE	18 = 18" WIDE	7 = 7" (6" DEPTH)		
	30 = 30" WIDE	24 = 24" WIDE			
	36 = 36" WIDE	30 = 30" WIDE			
	42 = 42" WIDE	36 = 36" WIDE			



ALUMINUM RIGHT SIDE REDUCER
TRAY TYPE: SOLID BOTTOM "S"



ALUMINUM RIGHT SIDE REDUCER
TRAY TYPE: LADDER "L"



AX-2001
SPLICE PLATE

4 International Drive
Rye Brook, NY 10573
Toll Free: 1 888.764.7681
Phone: 914.934.2075
Fax: 914.934.2190
MonoSystems.com



MonoSystems
wire management. managed.