

# Cable Tray / Ladder Tray

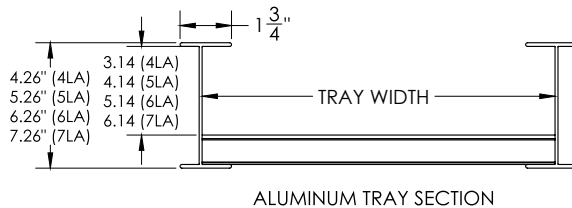
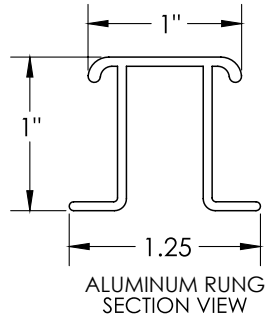
## RHT-XXXX-XXXXA

## PowerTray™ Fittings

Manufactured in the USA by MonoSystems, Inc.



### REDUCING HORIZONTAL TEE



#### Notes

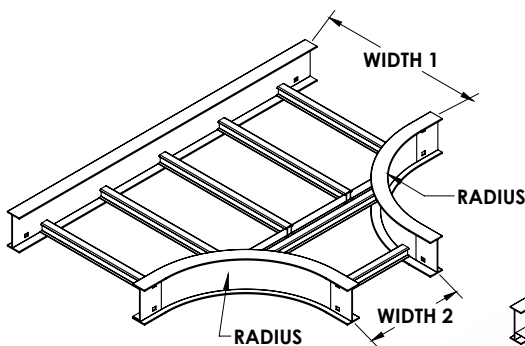
- 1.) One pair of splice connectors and included hardware are provided for each fitting. (M.S.I P/N: A4-2001, A5-2001, A6-2001, A7-2001).
- 2.) Views for reference - do not scale.



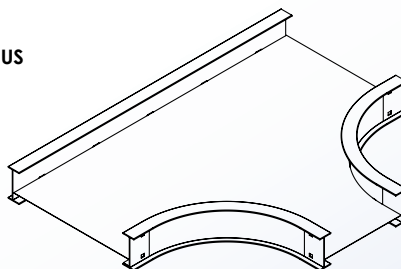
#### ORDERING DATA EXAMPLE:

## RHT-XXW1-W2XXA

FITTING TYPE	RADIUS	WIDTH 1	WIDTH 2	TRAY TYPE	TRAY MATERIAL
RHT = REDUCING HORIZONTAL TEE	12 = 12" 18 = 18" 24 = 24" 36 = 36" 42 = 42"	09 = 9" WIDE 12 = 12" WIDE 18 = 18" WIDE 24 = 24" WIDE 30 = 30" WIDE 36 = 36" WIDE 42 = 42" WIDE	06 = 6" WIDE 09 = 9" WIDE 12 = 12" WIDE 18 = 18" WIDE 24 = 24" WIDE 30 = 30" WIDE 36 = 36" WIDE	L = LADDER S = SOLID BOTTOM	A = ALUMINUM
				HEIGHT	
				4 = 4" (3" DEPTH) 5 = 5" (4" DEPTH) 6 = 6" (5" DEPTH) 7 = 7" (6" DEPTH)	



ALUMINUM REDUCING HORIZONTAL TEE  
TRAY TYPE: LADDER "L"



ALUMINUM REDUCING HORIZONTAL TEE  
TRAY TYPE: SOLID BOTTOM "S"

4 International Drive  
Rye Brook, NY 10573  
Toll Free: 1 888.764.7681  
Phone: 914.934.2075  
Fax: 914.934.2190  
MonoSystems.com



**MonoSystems™**  
wire management. managed.