

Cable Tray / Ladder Tray

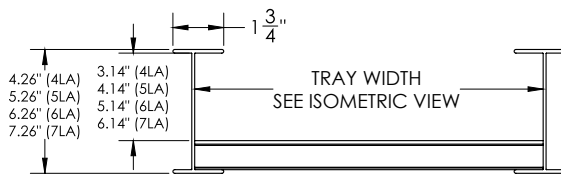
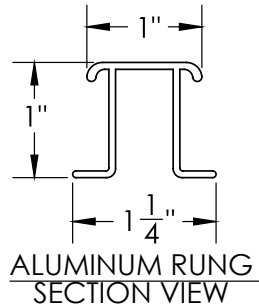
RHC-XXXX-XXXXA

PowerTray™ Fittings

Manufactured in the USA by MonoSystems, Inc.



REDUCING HORIZONTAL CROSS B, C, D SERIES RAIL



Notes

- 1.) Splice connectors and included hardware are provided for each fitting.
- 2.) Views for reference - do not scale.



ORDERING DATA EXAMPLE:

RHC-XXW1-W2XXA

FITTING TYPE
RHC = REDUCING
HORIZONTAL
CROSS

RADIUS
12 = 12"
18 = 18"
24 = 24"
36 = 36"

WIDTH 1
09 = 9" WIDE
12 = 12" WIDE
18 = 18" WIDE
24 = 24" WIDE
30 = 30" WIDE
36 = 36" WIDE
42 = 42" WIDE

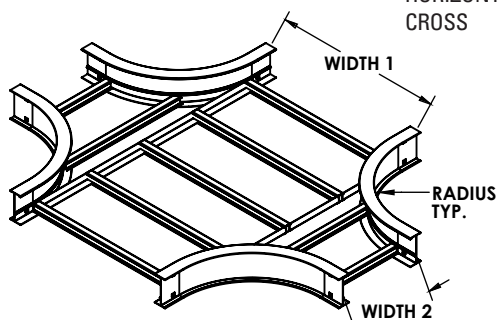
WIDTH 2
06 = 6" WIDE
09 = 9" WIDE
12 = 12" WIDE
18 = 18" WIDE
24 = 24" WIDE
30 = 30" WIDE
36 = 36" WIDE

TRAY TYPE
L = LADDER
S = SOLID BOTTOM

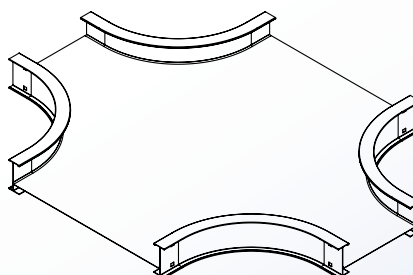
TRAY MATERIAL
A = ALUMINUM

HEIGHT

4 = 4" (3" DEPTH)
5 = 5" (4" DEPTH)
6 = 6" (5" DEPTH)
7 = 7" (6" DEPTH)



ALUMINUM REDUCING HORIZONTAL CROSS
TRAY TYPE: LADDER "L"



ALUMINUM REDUCING HORIZONTAL CROSS
TRAY TYPE: SOLID BOTTOM "S"

4 International Drive
Rye Brook, NY 10573
Toll Free: 1 888.764.7681
Phone: 914.934.2075
Fax: 914.934.2190
MonoSystems.com



MonoSystems™
wire management. managed.™