

# Cable Tray / Ladder / Aluminum ML4A Series

**NEMA Load Class: 12A/8C**  
**CSA Load Class: 123 kg/m 3.7**

**PowerTray™**

Manufactured by MonoSystems, Inc.

## ML4A/STRAIGHT SECTION

### General Information

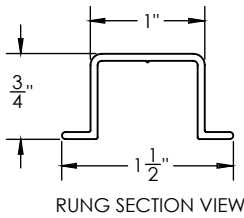
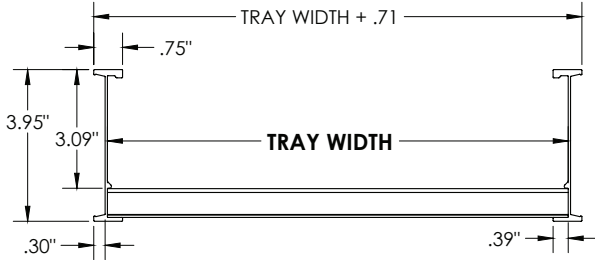
**TRAY DESIGN:** Construction and markings are per the latest edition of NEMA Standards Pub. VE1, CSA C22.2 No. 126.

**TRAY GROUNDING CAPABILITY:** Classified as an equipment grounding conductor per N.E.C. 392.7 with a maximum 1600 ampere rating. UL Cross Sectional area: 0.60 in<sup>2</sup>

**CONNECTORS:** Supplied in pairs with hardware. Splice resistance is less than 0.00033 ohms. Standard hardware: 1/4 in. cadmium-plated with clear zinc topcoat. Stainless steel hardware is available upon request.

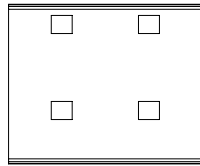
MonoSystems trays marked with CSA load class have been tested (loading, finish and electrical) by UL to CSA standard 126 22.2

Material: Aluminum 6063-T6 Alloy



**Siderail: 3.95"**  
**Load Depth: 3.08"**

CONNECTOR



LOAD CHART\*

POWER-TRAY RAIL DATA	RAIL TYPE: L4A			
SPAN (ft)	6	8	10	12
MAX LOAD (lbs/ft)	200	113	72	50
DEFLECTION MULTIPLIER	0.0015	0.0047	0.011	0.024



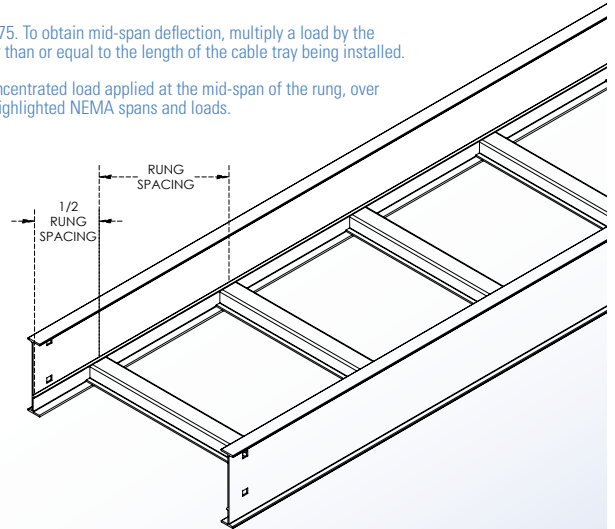
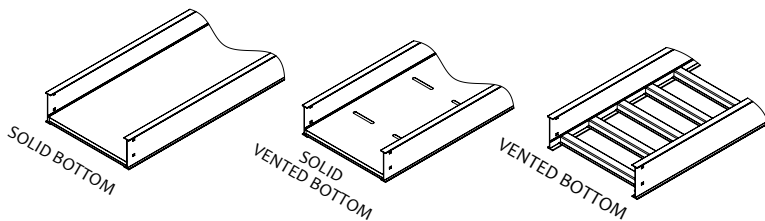
FILE: E80034

Classified by UL as equipment grounding conductors per NEC 392.7.

\* Values are based on simple beam tests per NEMA VE 1 on 36" wide cable tray with rungs spaced on 12" centers. Cable trays will support, without collapse, a 200 lb. (90.7 kg) concentrated load over and above published loads. Published load safety factor is 1.5.

To convert 1.5 safety factor to 2.0, multiply the published load by 0.75. To obtain mid-span deflection, multiply a load by the deflection multiplier. Cable tray must be supported on spans shorter than or equal to the length of the cable tray being installed.

Individual rungs will support without collapse a 200 lb. (90.7 kg) concentrated load applied at the mid-span of the rung, over and above the NEMA rated cable load with a 1.5 safety factor for highlighted NEMA spans and loads.



### ORDERING DATA EXAMPLE:

PowerTray, 3.88" High Ladder, Aluminum, 12" Rung Spacing, 24" Wide, 12' Long

**ML4 A 12 - 24 - 144 - FP - K**

RAIL SERIES	MATERIAL	RUNG SPACE	TRAY WIDTH	TRAY LENGTH	PLATE
ML4	A = ALUMINUM TG 6063 - T6 ALLOY	06 = 6" 09 = 9" 12 = 12" 18 = 18"	06 - 6" 09 = 9" 12 = 12" 18 = 18" 24 = 24" 30 = 30" 36 = 36"	144 = 12'	NONE = REGULAR PLATE FP = FLAT PLATE

4 International Drive  
Rye Brook, NY 10573  
Toll Free: 1 888.764.7681  
Phone: 914.934.2075  
Fax: 914.934.2190  
MonoSystems.com

