

# Cable Tray / Ladder Tray

## MDS-M-H-2050-L

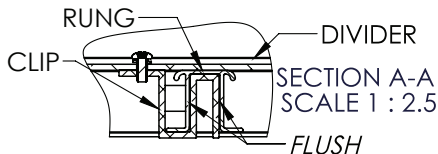
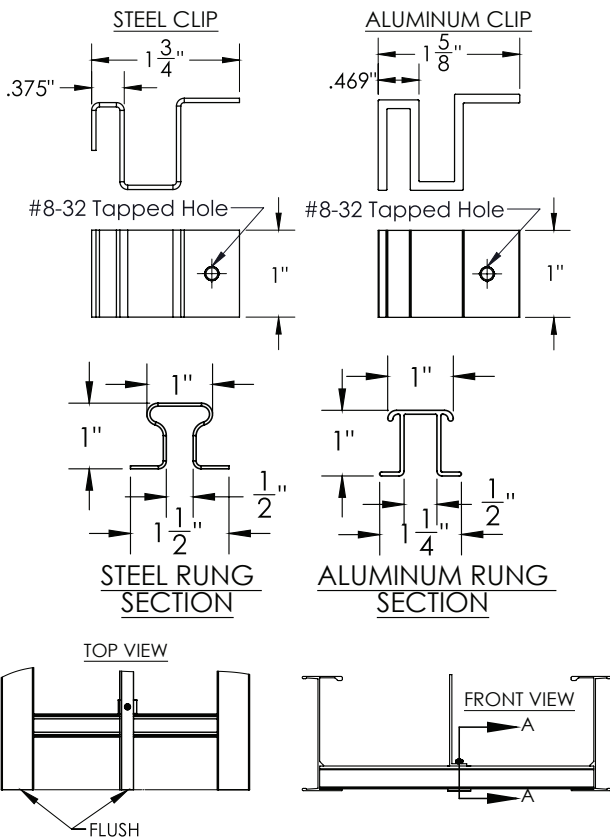
# PowerTray™ Accessories

Manufactured by MonoSystems, Inc.

## MOVABLE DIVIDER FOR ALUMINUM, AND STEEL RUNGS ALUMINUM AND STEEL CABLE TRAY

### Notes:

- 1.) Standard divider length 72". Sold individually.
- 2.) Includes divider, movable clips, and #8-32 x 3/8" PHIL. PAN. HD. screws.
- 3.) Installation Instructions:
  - Align divider flush with end of power tray.
  - Position divider to desired horz. location and clamp in place to rungs.
  - Insert movable divider clips into rung as shown.
  - Align #8-32 hole in clip and mark location on divider.
  - Field drill #8 clearance hole [Ø 3/16"] thru divider and install pan head screw & flat washer (provided) thru drilled hole in divider and into tapped hole in clip. Fasten until divider is snug to rung. Do not over tighten!
- 4.) To move, simply loosen clip screws and slide divider section over.
- 5.) Views for reference - do not scale.



### ORDERING DATA EXAMPLE:

# MDS-M-H-2050-L

#### MATERIAL

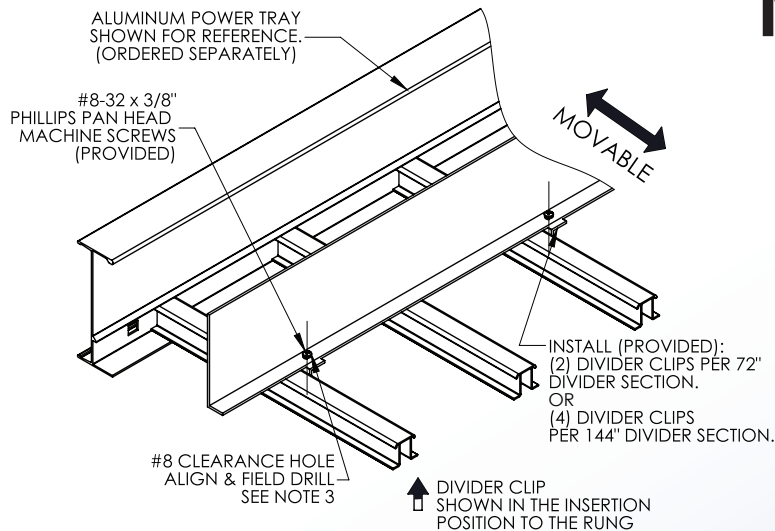
A = ALUMINUM  
 P = PRE GALVANIZED  
 G = HOT DIPPED GALV  
 AFTER FABRICATION

#### RAIL HEIGHT

4" RAIL = 3" DIVIDER  
 5" RAIL = 4" DIVIDER  
 6" RAIL = 5" DIVIDER  
 7" RAIL = 6" DIVIDER  
 8" RAIL = 7" DIVIDER

#### DIVIDER LENGTH

72 = 72"  
 120 = 120"  
 144 = 144"



4 International Drive  
 Rye Brook, NY 10573  
 Toll Free: 1 888.764.7681  
 Phone: 914.934.2075  
 Fax: 914.934.2190  
 MonoSystems.com

