

# Cable Tray / Ladder Tray

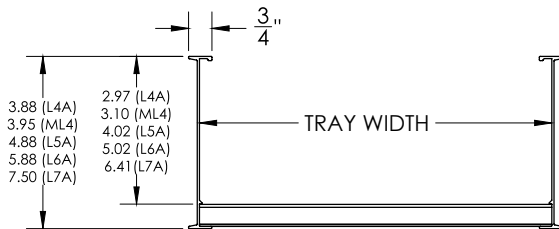
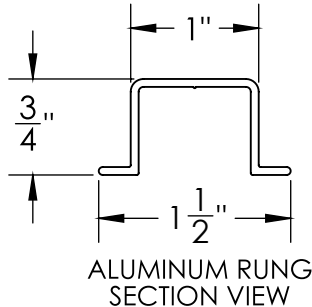
## LSR-XXXX-XXA

PowerTray™ Fittings

Manufactured in the USA by MonoSystems, Inc.



### STRAIGHT REDUCERS L SERIES RAIL



#### Notes

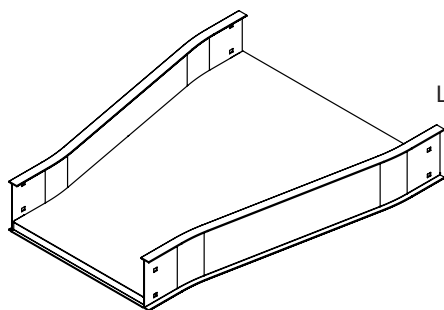
- 1.) One pair of splice connectors and included hardware are provided for each fitting. (M.S.I P/N: A4-1001, A5-1001, A6-1001, A7-1001).
- 2.) Views for reference - do not scale.



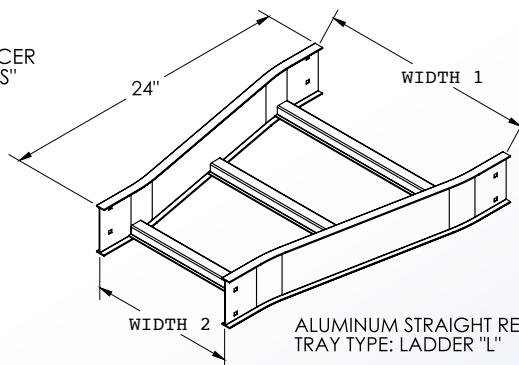
#### ORDERING DATA EXAMPLE:

Straight Reducer, 12" Wide, 6" Wide, 4" High, Ladder, Aluminum

## LSR-1206-4LA



ALUMINUM STRAIGHT REDUCER TRAY TYPE: SOLID BOTTOM "S"



ALUMINUM STRAIGHT REDUCER TRAY TYPE: LADDER "L"

#### RAIL SERIES

LSR = STRAIGHT REDUCER (LITE RAIL)

#### WIDTH 1

09 = 9" WIDE  
12 = 12" WIDE  
18 = 18" WIDE  
24 = 24" WIDE  
30 = 30" WIDE  
36 = 36" WIDE  
42 = 42" WIDE

#### WIDTH 2

06 = 6" WIDE  
09 = 9" WIDE  
12 = 12" WIDE  
18 = 18" WIDE  
24 = 24" WIDE  
30 = 30" WIDE  
36 = 36" WIDE

#### TRAY TYPE

L = LADDER  
S = SOLID BOTTOM

#### TRAY MATERIAL

P = STEEL PRE-GALV  
G = STEEL HDGAF  
SS = STAINLESS STEEL  
A = ALUMINUM  
T = ALUMINUM POWDER COAT

#### HEIGHT

4 = 4" (3" DEPTH)  
5 = 5" (4" DEPTH)  
6 = 6" (5" DEPTH)



4 International Drive  
Rye Brook, NY 10573  
Toll Free: 1 888.764.7681  
Phone: 914.934.2075  
Fax: 914.934.2190  
MonoSystems.com

**MonoSystems**  
wire management. managed.