

Cable Tray / Ladder Tray

LRHT-XXXX-XXXXA

PowerTray™ Fittings

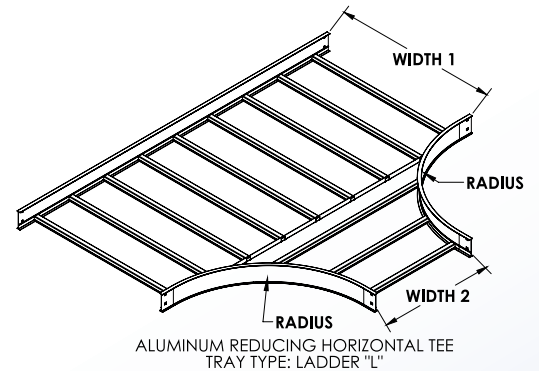
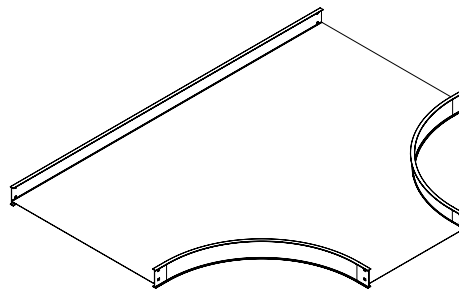
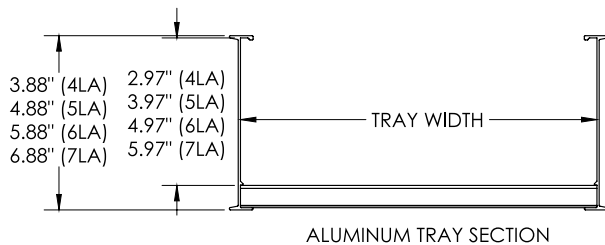
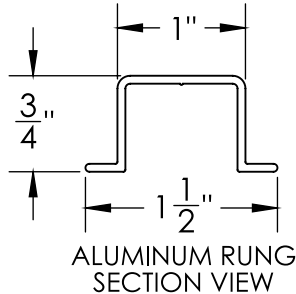
Manufactured in the USA by MonoSystems, Inc.



REDUCING HORIZONTAL TEE

Notes

- 1.) One pair of splice connectors and included hardware are provided for each fitting. (M.S.I P/N: A4-1001, A5-1001, A6-1001, A7-1001).
- 2.) Views for reference - do not scale.



ORDERING DATA EXAMPLE:

L RHT - XX W1 - W2 X X A

RAIL TYPE	FITTING TYPE	RADIUS	WIDTH 1	WIDTH 2	HEIGHT	TRAY TYPE	TRAY MATERIAL
L = LITE SIDE RAIL	RHT = REDUCING HORIZONTAL TEE	12 = 12" 18 = 18" 24 = 24" 36 = 36" 42 = 42"	09 = 9" WIDE 12 = 12" WIDE 18 = 18" WIDE 24 = 24" WIDE 30 = 30" WIDE 36 = 36" WIDE 42 = 42" WIDE	06 = 6" WIDE 09 = 9" WIDE 12 = 12" WIDE 18 = 18" WIDE 24 = 24" WIDE 30 = 30" WIDE 36 = 36" WIDE	4 = 4" (3" DEPTH) 5 = 5" (4" DEPTH) 6 = 6" (5" DEPTH) 7 = 7" (6" DEPTH)	L = LADDER S = SOLID BOTTOM	A = ALUMINUM

4 International Drive
Rye Brook, NY 10573
Toll Free: 1 888.764.7681
Phone: 914.934.2075
Fax: 914.934.2190
MonoSystems.com



MonoSystems™
wire management. managed.®