

Cable Tray / Ladder Tray

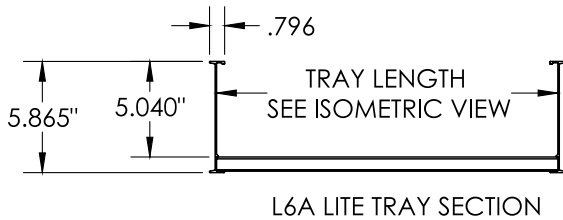
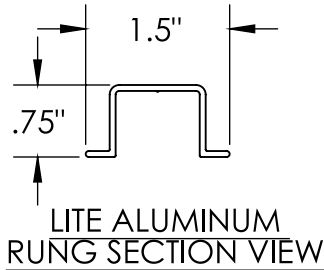
LRHC-XXXX-XXXXA

PowerTray™ Fittings

Manufactured in the USA by MonoSystems, Inc.



REDUCING HORIZONTAL CROSS L SERIES RAIL



Notes

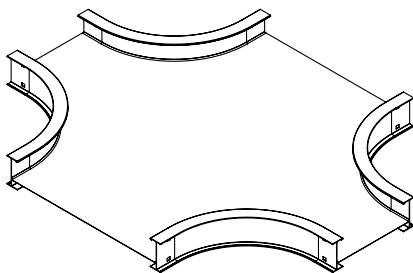
- 1.) Splice connectors and included hardware are provided with each fitting.
- 2.) Views for reference - do not scale.



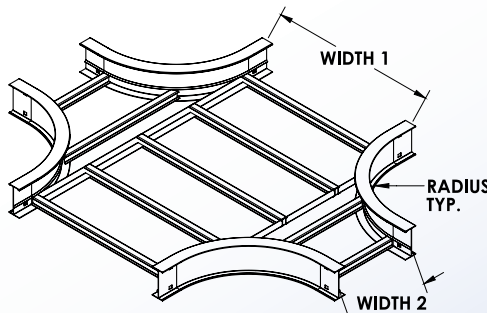
ORDERING DATA EXAMPLE:

LRHC - XX W1 - W2 X X A

FITTING TYPE	RADIUS	WIDTH 1	WIDTH 2	HEIGHT	TRAY TYPE	TRAY MATERIAL
LRHC = LITE REDUCING HORIZONTAL CROSS	12 = 12"	09 = 9" WIDE	06 = 6" WIDE	4 = 4" (3" DEPTH)	L = LADDER	A = ALUMINUM
	18 = 18"	12 = 12" WIDE	09 = 9" WIDE	5 = 5" (4" DEPTH)	S = SOLID	
	24 = 24"	18 = 18" WIDE	12 = 12" WIDE	6 = 6" (5" DEPTH)	BOTTOM	
	36 = 36"	24 = 24" WIDE	18 = 18" WIDE	7 = 7" (6" DEPTH)		
		30 = 30" WIDE	24 = 24" WIDE			
		36 = 36" WIDE	30 = 30" WIDE			
		42 = 42" WIDE	36 = 36" WIDE			



ALUMINUM REDUCING HORIZONTAL CROSS
TRAY TYPE: SOLID BOTTOM "S"



ALUMINUM REDUCING HORIZONTAL CROSS
TRAY TYPE: LADDER "L"

4 International Drive
Rye Brook, NY 10573
Toll Free: 1 888.764.7681
Phone: 914.934.2075
Fax: 914.934.2190
MonoSystems.com



MonoSystems
wire management. managed.