

Cable Tray / Ladder Tray

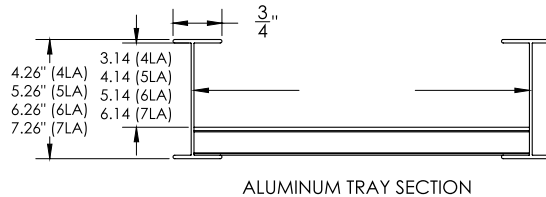
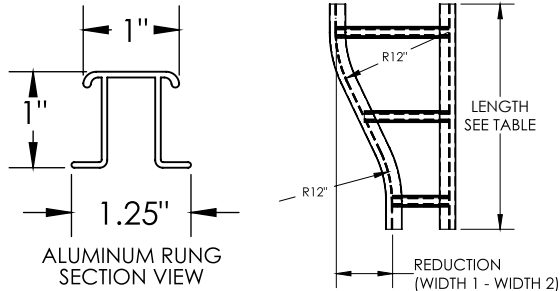
LR-XXXXXA

PowerTray™ Fittings

Manufactured in the USA by MonoSystems, Inc.



LEFT SIDE REDUCERS



Notes

- 1.) One pair of splice connectors and included hardware are provided for each fitting. (M.S.I P/N: A4-2001, A5-2001, A6-2001, A7-2001).
- 2.) Views for reference - do not scale.



UL CLASSIFIED AS A GROUNDING CONDUCTOR

ORDERING DATA EXAMPLE:

LR-W1W2XXA

FITTING TYPE

LR = LEFT SIDE REDUCER

WIDTH 1

09 = 9" WIDE
12 = 12" WIDE
18 = 18" WIDE
24 = 24" WIDE
30 = 30" WIDE
36 = 36" WIDE
42 = 42" WIDE

WIDTH 2

06 = 6" WIDE
09 = 9" WIDE
12 = 12" WIDE
18 = 18" WIDE
24 = 24" WIDE
30 = 30" WIDE
36 = 36" WIDE

TRAY TYPE

L = LADDER
S = SOLID BOTTOM

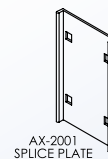
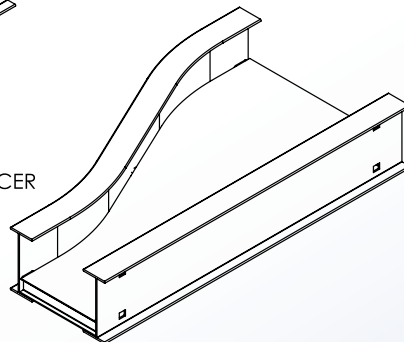
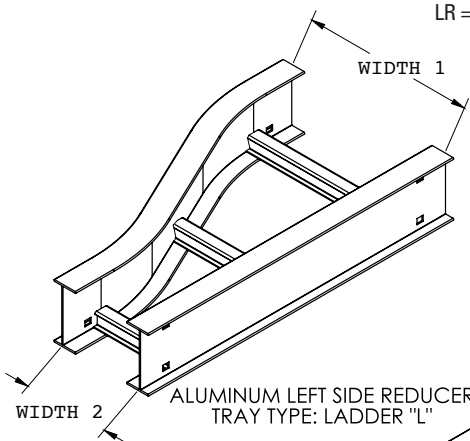
TRAY MATERIAL

A = ALUMINUM

HEIGHT

4 = 4" (3" DEPTH)
5 = 5" (4" DEPTH)
6 = 6" (5" DEPTH)
7 = 7" (6" DEPTH)

REDUCTION	TOTAL LENGTH
3"	24"
6"	
9"	
12"	33"
18"	
24"	
36"	36"



4 International Drive
Rye Brook, NY 10573
Toll Free: 1 888.764.7681
Phone: 914.934.2075
Fax: 914.934.2190
MonoSystems.com



MonoSystems™
wire management. managed.