

# Cable Tray / Ladder Tray

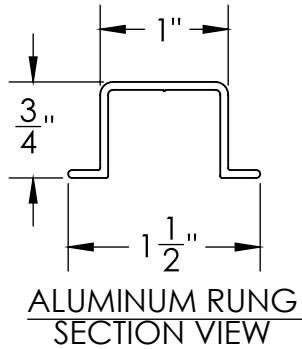
## LHC-XXXX-XXXXA

### PowerTray™ Fittings

Manufactured in the USA by MonoSystems, Inc.

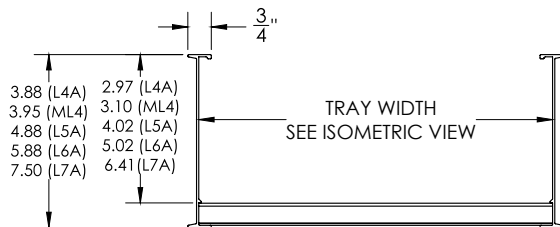


## HORIZONTAL CROSS L SERIES RAIL



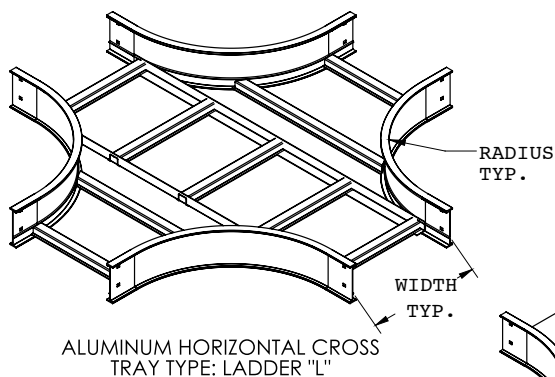
### Notes

- 1.) Splice connectors and included hardware are provided for each fitting.
- 2.) Views for reference - do not scale.



### ORDERING DATA EXAMPLE:

## LHC-RW-XXA

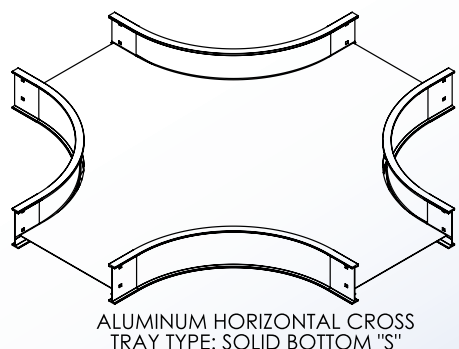


FITTING TYPE	RADIUS	WIDTH
LHC = HORIZONTAL CROSS LITE SERIES RAIL	12 = 12"	09 = 9" WIDE
	18 = 18"	12 = 12" WIDE
	24 = 24"	18 = 18" WIDE
	36 = 36"	24 = 24" WIDE
		30 = 30" WIDE
		36 = 36" WIDE
		42 = 42" WIDE

TRAY TYPE	TRAY MATERIAL
L = LADDER S = SOLID BOTTOM	A = ALUMINUM

**HEIGHT**

4 = 4" (3" DEPTH)
5 = 5" (4" DEPTH)
6 = 6" (5" DEPTH)
7 = 7" (6" DEPTH)



4 International Drive  
Rye Brook, NY 10573  
Toll Free: 1 888.764.7681  
Phone: 914.934.2075  
Fax: 914.934.2190  
MonoSystems.com



**MonoSystems™**  
wire management. managed.