

Cable Tray / Ladder / Aluminum L5A Series

NEMA Load Class: 12B
CSA Load Class: 121 kg/m 3.7m

PowerTray™

Manufactured by MonoSystems, Inc.

L5A/STRAIGHT SECTION

General Information

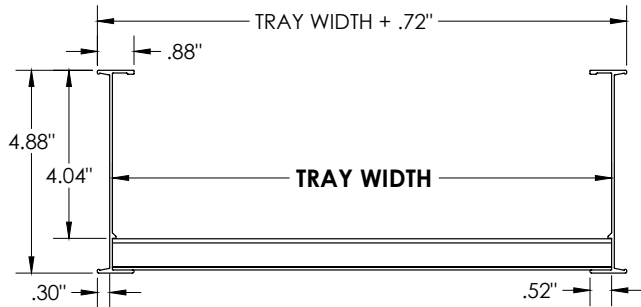
TRAY DESIGN: Construction and markings are per the latest edition of NEMA Standards Pub. VE1, CSA C22.2 No. 126.

TRAY GROUNDING CAPABILITY: Classified as an equipment grounding conductor per N.E.C. 392.7 with a maximum 1600 ampere rating. UL Cross Sectional area: 0.60 in²

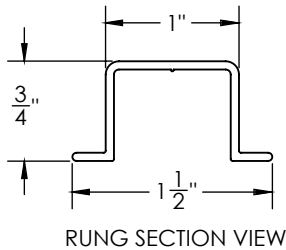
CONNECTORS: Supplied in pairs with hardware. Splice resistance is less than 0.00033 ohms. Standard hardware: 3/8 in. cadmium-plated with clear zinc topcoat. Stainless steel hardware is available upon request.

MonoSystems trays marked with CSA load class have been tested (loading, finish and electrical) by UL to CSA standard 126 22.2

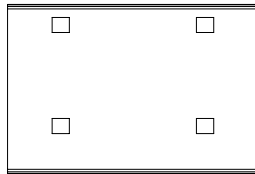
Material: Aluminum 6063-T6 Alloy



Siderail: 4.88"
Load Depth: 4.02"



CONNECTOR



LOAD CHART*

POWER-TRAY RAIL DATA	RAIL TYPE: L5A			
SPAN (ft)	6	8	10	12
MAX LOAD (lbs/ft)	205	123	89	75
DEFLECTION MULTIPLIER	0.0047	0.012	0.026	0.029

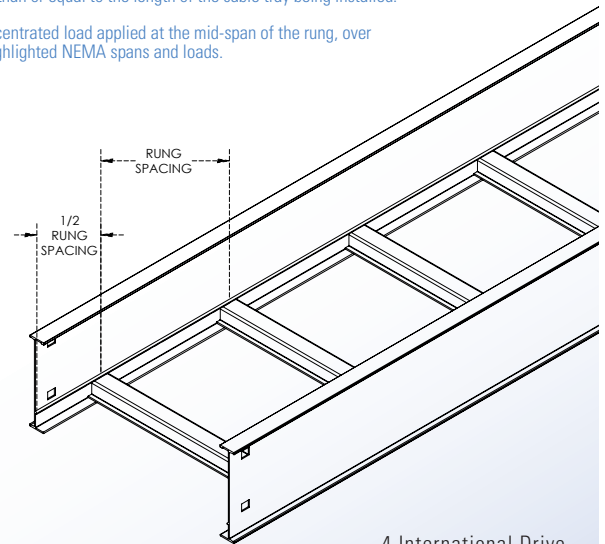
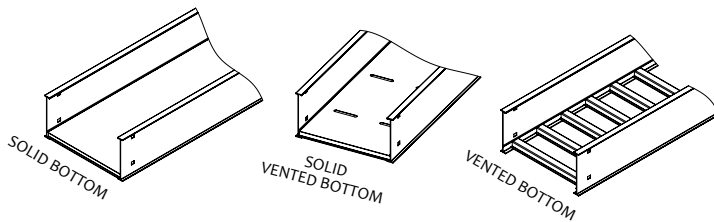


Classified by UL as equipment grounding conductors per NEC 392.7.

* Values are based on simple beam tests per NEMA VE 1 on 36" wide cable tray with rungs spaced on 12" centers. Cable trays will support, without collapse, a 200 lb. (90.7 kg) concentrated load over and above published loads. Published load safety factor is 1.5.

To convert 1.5 safety factor to 2.0, multiply the published load by 0.75. To obtain mid-span deflection, multiply a load by the deflection multiplier. Cable tray must be supported on spans shorter than or equal to the length of the cable tray being installed.

Individual rungs will support without collapse a 200 lb. (90.7 kg) concentrated load applied at the mid-span of the rung, over and above the NEMA rated cable load with a 1.5 safety factor for highlighted NEMA spans and loads.



ORDERING DATA EXAMPLE:

PowerTray, 4.88" High Ladder, Aluminum, 06" Rung Spacing, 24" Wide, 12' Long

L5 A 06 - 24 - 144 - FP - K

RAIL SERIES	MATERIAL	RUNG SPACE	TRAY WIDTH	TRAY LENGTH	PLATE
L5	A = ALUMINUM 6063 - T6 ALLOY	06 = 6" 09 = 9" 12 = 12" 04 = VENTED BOTTOM SB = SOLID BOTTOM SBV = SOLID VENTED BOTTOM	06 - 6" 09 = 9" 12 = 12" 18 = 18" 24 = 24" 30 = 30" 36 = 36"	144 = 12'	NONE = REGULAR PLATE FP = FLAT PLATE

4 International Drive
Rye Brook, NY 10573
Toll Free: 1 888.764.7681
Phone: 914.934.2075
Fax: 914.934.2190
MonoSystems.com

