

Cable Tray / Ladder Tray

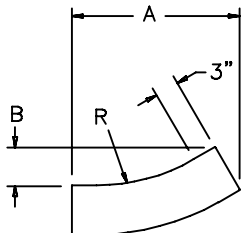
IV30-45

PowerTray™ Fittings

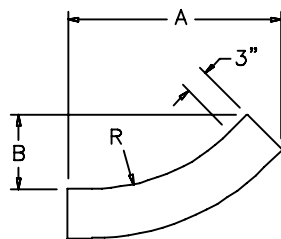
Manufactured in the USA by MonoSystems, Inc.



30° & 45° VERTICAL RISERS



30° IVR



45° IVR

Notes

1.) Splice connectors and included hardware are provided for each fitting.



ORDERING DATA EXAMPLE:

IV30-12064LA

FITTING

IV30 = 30° INSIDE VERTICAL RISER
IV45 = 45° INSIDE VERTICAL RISER

HEIGHT

4 = 4" (3" DEPTH)
5 = 5" (4" DEPTH)
6 = 6" (5" DEPTH)
7 = 7" (6" DEPTH)

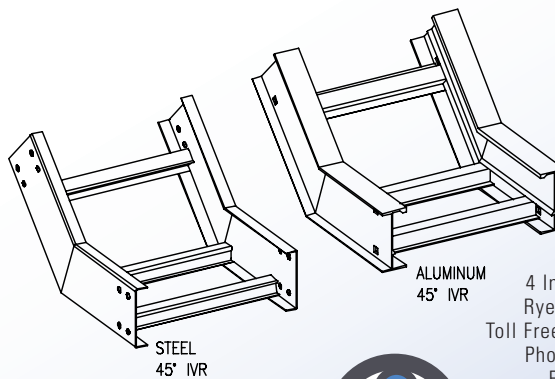
TRAY TYPE

L = LADDER
V = VENTED
S = SOLID BOTTOM

TRAY MATERIAL

P = STEEL PRE-GALV
G = STEEL HDGAF
S = STEEL POWERCOAT
A = ALUMINUM
T = ALUMINUM POWER COAT

Radius R	Tray Width W	30° Inside Vertical Riser				45° Inside Vertical Riser			
		L-Series Part Number	Series B.C.D. & E Catalog Number	A (in.)	B (in.)	L-Series Part Number	Series B.C.D. & E Catalog Number	A (in.)	B (in.)
12	06	IV30-1206***	IV30-1206***	11.6	3.1	IV45-1206***	IV45-1206***	13.6	5.6
	09	IV30-1209***	IV30-1209***	11.6	3.1	IV45-1209***	IV45-1209***	13.6	5.6
	12	IV30-1212***	IV30-1212***	11.6	3.1	IV45-1212***	IV45-1212***	13.6	5.6
	18	IV30-1218***	IV30-1218***	11.6	3.1	IV45-1218***	IV45-1218***	13.6	5.6
	24	IV30-1224***	IV30-1224***	11.6	3.1	IV45-1224***	IV45-1224***	13.6	5.6
	30	IV30-1230***	IV30-1230***	11.6	3.1	IV45-1230***	IV45-1230***	13.6	5.6
24	06	IV30-2406***	IV30-2406***	17.6	4.7	IV45-2406***	IV45-2406***	22.1	9.2
	09	IV30-2409***	IV30-2409***	17.6	4.7	IV45-2409***	IV45-2409***	22.1	9.2
	12	IV30-2412***	IV30-2412***	17.6	4.7	IV45-2412***	IV45-2412***	22.1	9.2
	18	IV30-2418***	IV30-2418***	17.6	4.7	IV45-2418***	IV45-2418***	22.1	9.2
	24	IV30-2424***	IV30-2424***	17.6	4.7	IV45-2424***	IV45-2424***	22.1	9.2
	30	IV30-2430***	IV30-2430***	17.6	4.7	IV45-2430***	IV45-2430***	22.1	9.2
36	06	IV30-3606***	IV30-3606***	23.6	6.3	N/A	N/A	30.6	12.7
	09	N/A	IV30-3609***	23.6	6.3	N/A	IV45-3609***	30.6	12.7
	12	N/A	IV30-3612***	23.6	6.3	N/A	IV45-3612***	30.6	12.7
	18	N/A	IV30-3618***	23.6	6.3	N/A	IV45-3618***	30.6	12.7
	24	N/A	IV30-3624***	23.6	6.3	N/A	IV45-3624***	30.6	12.7
	30	N/A	IV30-3630***	23.6	6.3	N/A	IV45-3630***	30.6	12.7
48	06	N/A	IV30-4806***	29.6	7.9	N/A	IV45-4806***	39.1	16.2
	09	N/A	IV30-4809***	29.6	7.9	N/A	IV45-4809***	39.1	16.2
	12	N/A	IV30-4812***	29.6	7.9	N/A	IV45-4812***	39.1	16.2
	18	N/A	IV30-4818***	29.6	7.9	N/A	IV45-4818***	39.1	16.2
	24	N/A	IV30-4824***	29.6	7.9	N/A	IV45-4824***	39.1	16.2
	30	N/A	IV30-4830***	29.6	7.9	N/A	IV45-4830***	39.1	16.2



ALUMINUM 45° IVR

STEEL 45° IVR

4 International Drive
Rye Brook, NY 10573
Toll Free: 1 888.764.7681
Phone: 914.934.2075
Fax: 914.934.2190
MonoSystems.com



MonoSystems
wire management. managed.